



NEW!!!

523 Series

Compression Latch Series.



Product Overview

The Concept LLH compression latch handles are ideal for the RV, Marine, Caravan and industrial machinery industries. Manufactured from high impact thermoplastic and metal die-cast, the products are maximum grip range and adjustability where required.

Features

- Adjustment grip range.
- Available in Die or plastic.
- Easy to install.
- Mounting Hardware Supplied.
- Low cost.

Benefits

- Can be used with gasket.
- Offers corrosion resistance.
- Single hole mount.
- Makes ordering easy.
- Saves time and money.

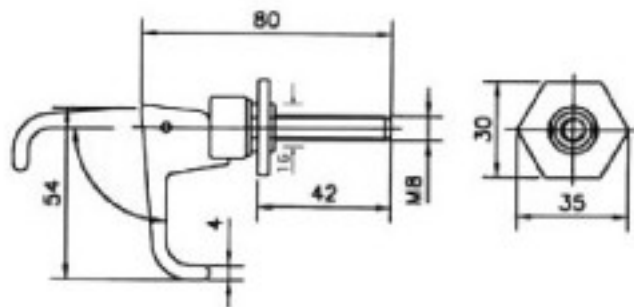


Concept Latch, Lock & Hinge Pty Ltd
22a Trade Park Drive,
Tullamarine, Victoria,
Australia. 3043
Tel: (+613) 9335 1822
Fax: (+613) 9310 5363
Email: sales@conceptlatch.com.au

523 Series

Compression Latch Series.

P/N A-523



Concept Latch, Lock & Hinge Pty Ltd
22a Trade Park Drive,
Tullamarine, Victoria,
Australia. 3043
Tel: (+613) 9335 1822
Fax: (+613) 9310 5363
Email: sales@conceptlatch.com.au