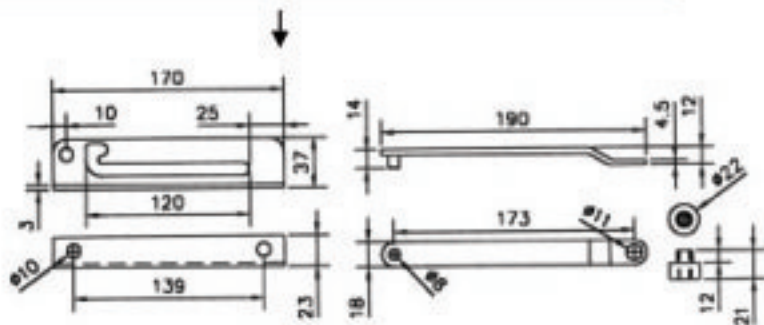


## H24 Series

### Door & Lid Stays



Concept Latch, Lock & Hinge Pty Ltd

22a Trade Park Drive,

Tullamarine, Victoria,

Australia. 3043

Tel: (+613) 9335 1822

Fax: (+613) 9310 5363

Email: [sales@conceptlatch.com.au](mailto:sales@conceptlatch.com.au)