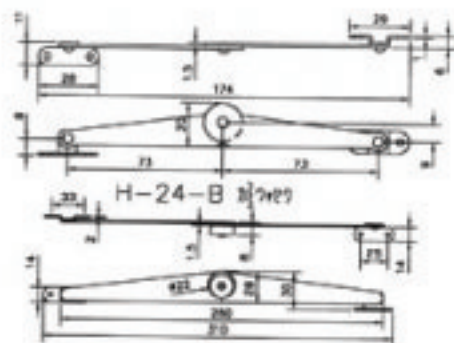


H24 Series

Door & Lid Stays



Concept Latch, Lock & Hinge Pty Ltd
 22a Trade Park Drive,
 Tullamarine, Victoria,
 Australia. 3043
 Tel: (+613) 9335 1822
 Fax: (+613) 9310 5363
 Email: sales@conceptlatch.com.au



H-24-BL (left hand) & H-24-BR (right hand)