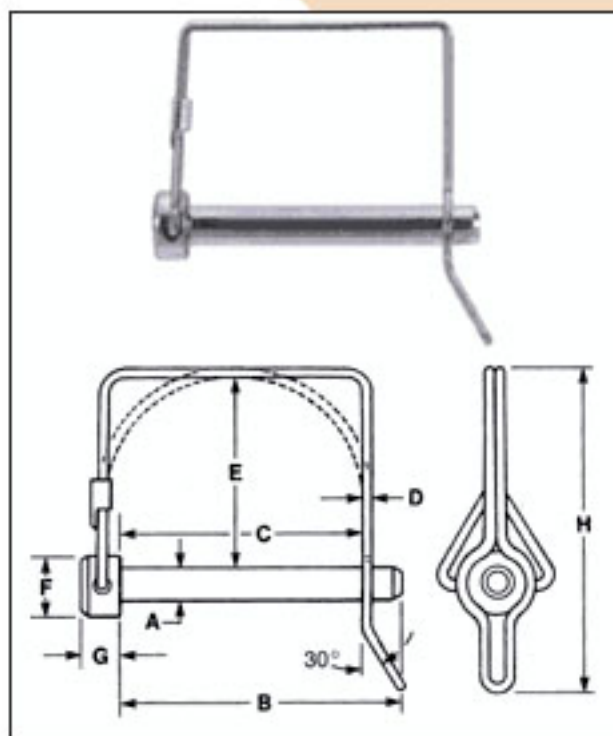


Tab Lock Pins

Easier to use than standard wire lock pins. Pull up on tab to remove, push down on wire loop to lock. Tab acts as a load ramp which guides wire loop to a locked position when installing. Made of low carbon steel, zinc plated. Wire loop of hard drawn spring wire.



Tab Lock Pins - Zinc Plated

Stock Code	Size	A Pin Dia.	B Pin Length	C Effective Length	D Wire Dia.	E Loop Clearance	F Head Dia.	G Head Height	H Top of Wire to Tab End	Wire Loop Shape	Approx. Weight/Lbs. Per 100 Pcs.
T-LOCK-1RD	1/4 x 2	.243 - .248	2.000	1.750	.091	1.625	.562	.312	2-3/4	Round	6.8
T-LOCK-8SQ	3/8 x 2-3/4	.368 - .373	2.750	2.250	.091	1.500	.625	.312	2-3/4	Square	13.8
		Tolerances	+0.060	+0.125	+0.002	+0.125	+0.000	+0.000	+0.125		
			-0.060	-0.125	-0.002	-0.125	-0.031	-0.031	-0.125		