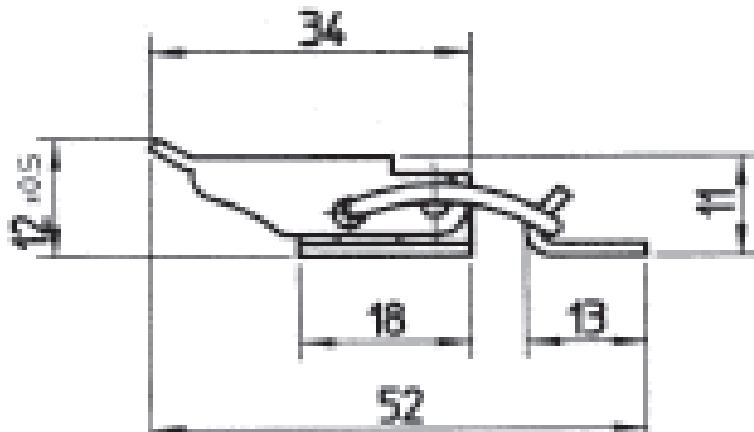


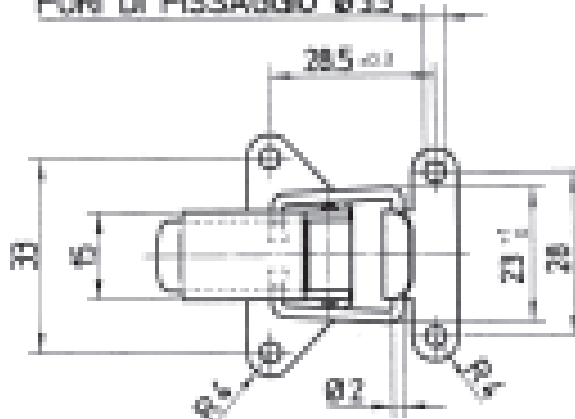


**Concept**  
**Latch Lock & Hinge**

**address:** 353 Victoria Street, Brunswick, VIC, 3056  
**phone:** 03 9388 2551 fax: 03 9387 5758  
**email:** sales@conceptlatch.com.au  
**web:** www.conceptlatch.com.au  
**ABN:** 53 098 642 641



FORI DI FISSAGGIO Ø15



**PART:**  
**2.04.00**

**DESCRIPTION:**  
**TOGGLE LATCH**

**MATERIAL:** UNPLATED STEEL, NICKEL  
PLATED, ZINC PLATED, STAINLESS STEEL,

**DATE OF DRAWING:**  
**27/09/2011**