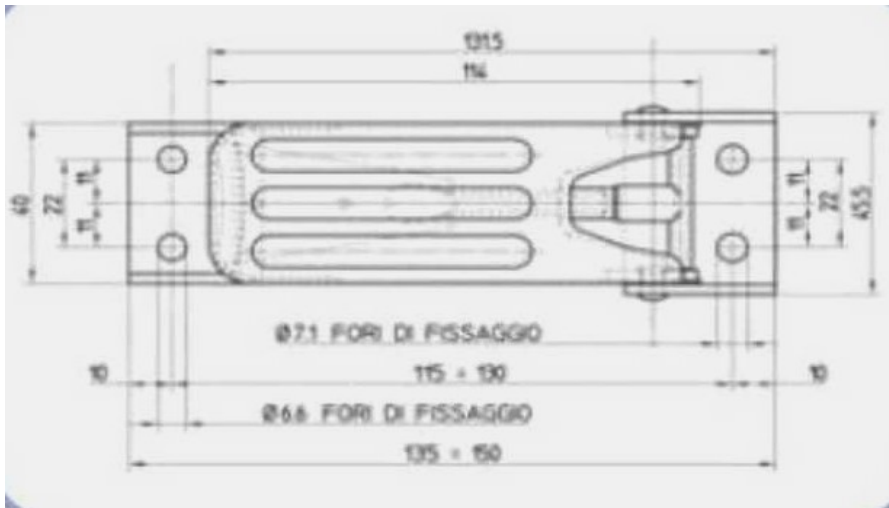




**Concept
Latch Lock & Hinge**

address: 353 Victoria Street, Brunswick, VIC, 3056
phone: 03 9388 2551 **fax:** 03 9387 5758
email: sales@conceptlatch.com.au
web: www.conceptlatch.com.au
ABN: 53 098 642 641



PART: 2.40.00	DESCRIPTION: ADJUSTABLE TOGGLE LATCH	
	MATERIAL: ZINC PLATED, NICKEL P:ATED STEEL	DATE OF DRAWING: 14/08/2011