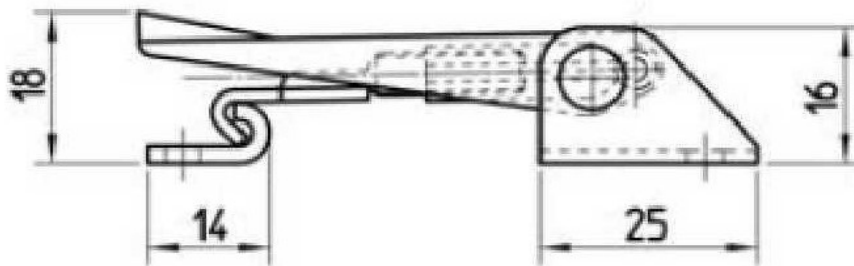


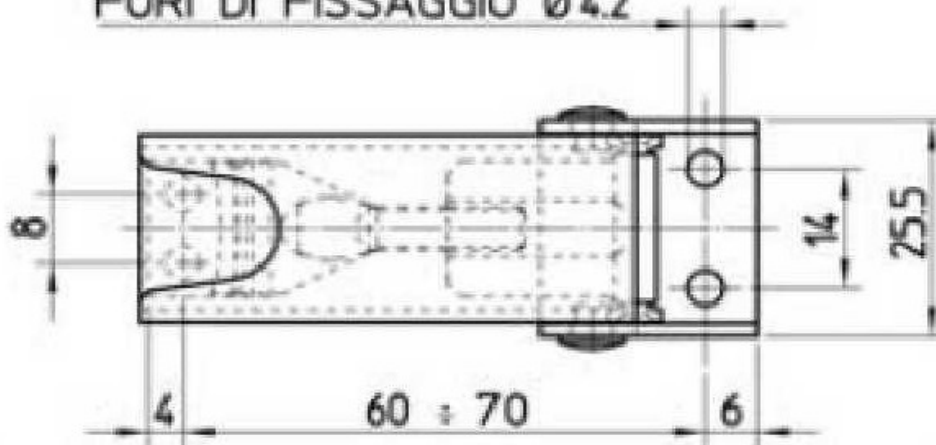


Concept
Latch Lock & Hinge

address: 353 Victoria Street, Brunswick, VIC, 3056
phone: 03 9388 2551 **fax:** 03 9387 5758
email: sales@conceptlatch.com.au
web: www.conceptlatch.com.au
ABN: 53 098 642 641



FORI DI FISSAGGIO Ø 4.2



| | | |
|--------------------------------|--|---------------------------------------|
| PART: 2.41.00 | DESCRIPTION: ADJUSTABLE TOGGLE LATCH | |
| | MATERIAL: ZINC PLATED STEEL, STAINLESS STEEL | DATE OF DRAWING: 14/08/2011 |