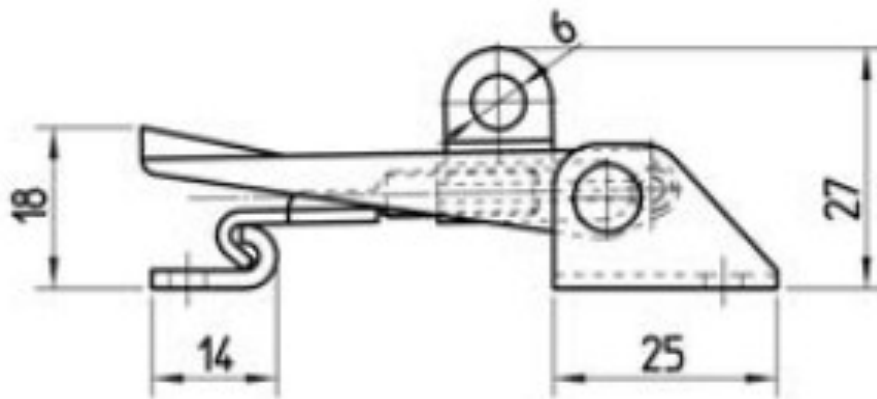
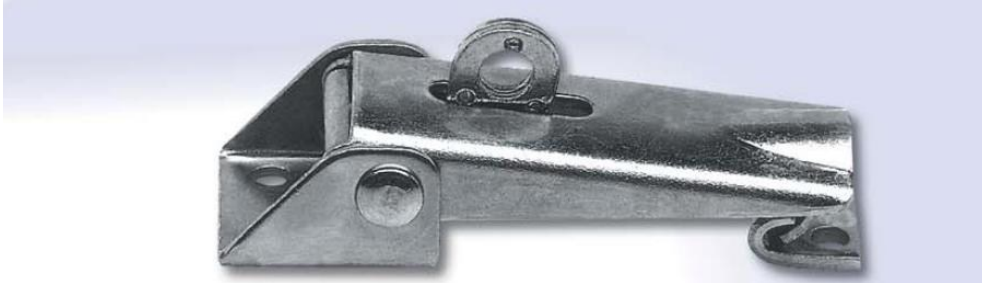


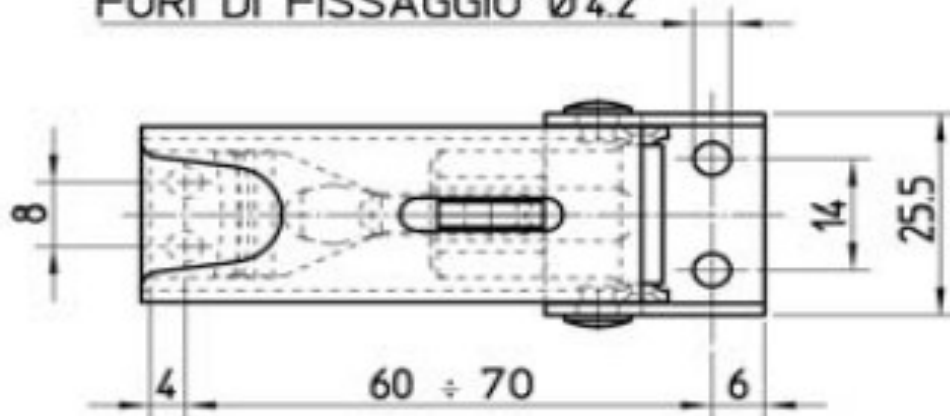


**Concept
Latch Lock & Hinge**

address: 353 Victoria Street, Brunswick, VIC, 3056
phone: 03 9388 2551 **fax:** 03 9387 5758
email: sales@conceptlatch.com.au
web: www.conceptlatch.com.au
ABN: 53 098 642 641



FORI DI FISSAGGIO Ø 4.2



PART: 2.41.01	DESCRIPTION: HASP TOGGLE LATCH
	MATERIAL: ZINC PLATED STEEL,
	DATE OF DRAWING: 27/09/2011