

3 6 9 1

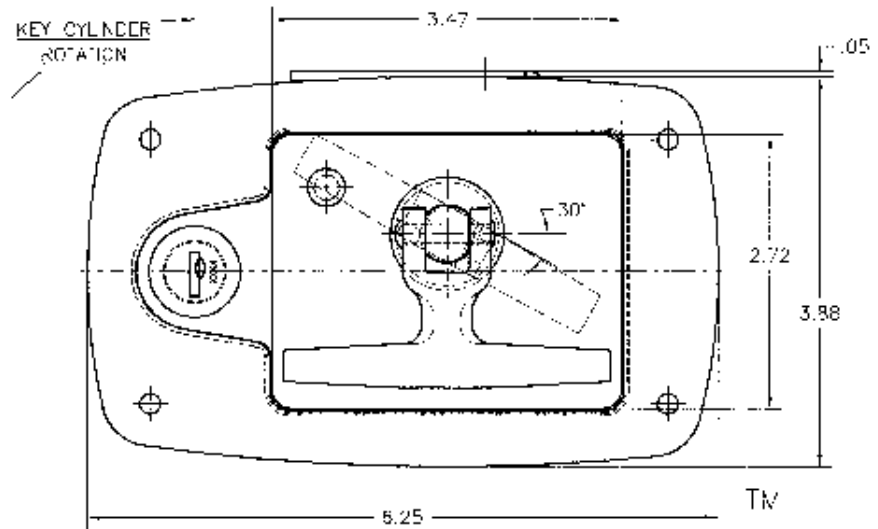
EBERHARD

stylized rotary "T" handle series



- Good-looking, low-profile rotary design.
- Takes just a slight twist of the "T" to release.
- Available with mounting holes or blind-mount studs.
- Double-bitted key cylinder standard on all models.

Patent Pending



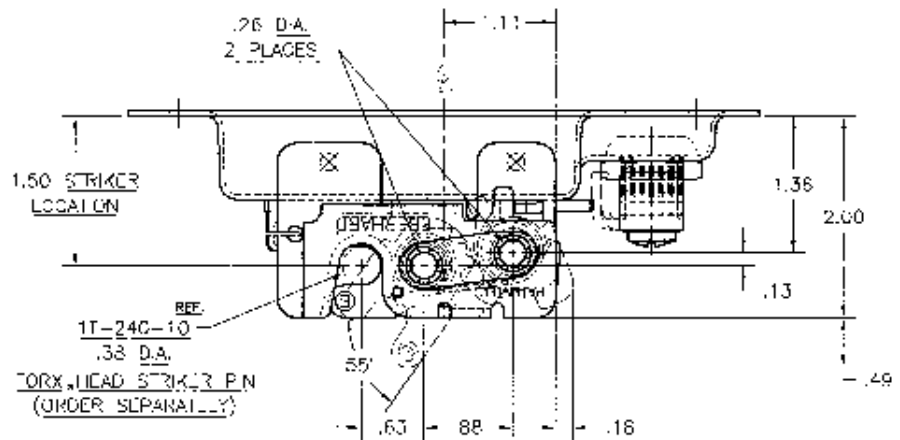
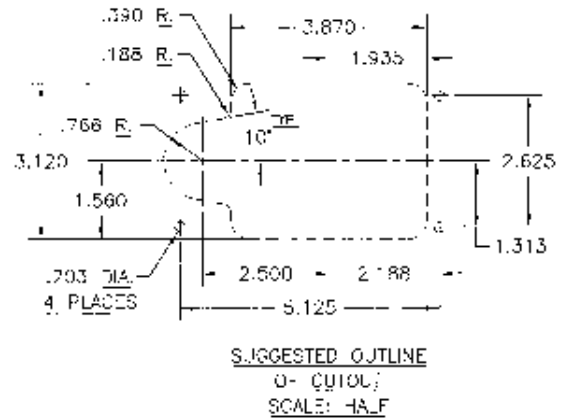
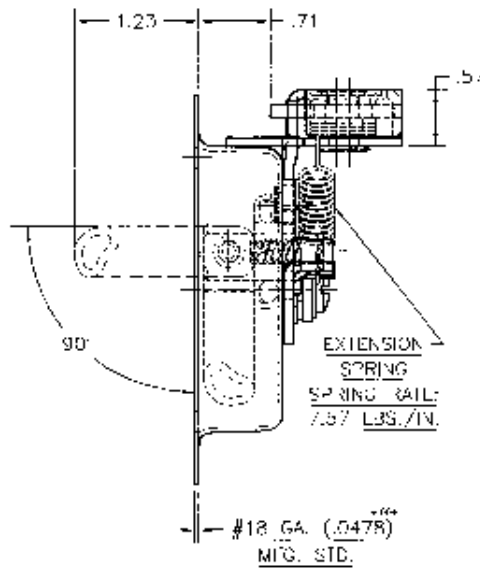
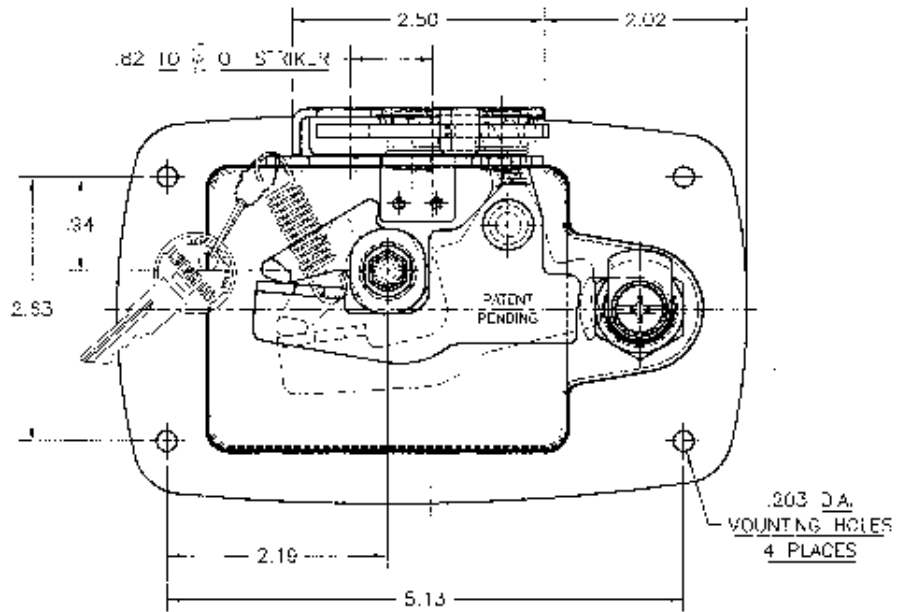
Industrial, Vehicular & Specialty Hardware

P. O. Box 368012 • Cleveland, OH 44149-9712 • Phone: (440) 238-9720 • Fax: (440) 572-2732 • Web: www.eberhard.com

©2000, Eberhard Mfg. Company, a division of the Eastern Company

3 6 9 1

EBERHARD



Industrial, Vehicular & Specialty Hardware

P. O. Box 368012 • Cleveland, OH 44149-9712 • Phone: (440) 238-9720 • Fax: (440) 572-2732 • Web: www.eberhard.com

©2000, Eberhard Mfg. Company, a division of the Eastern Company