

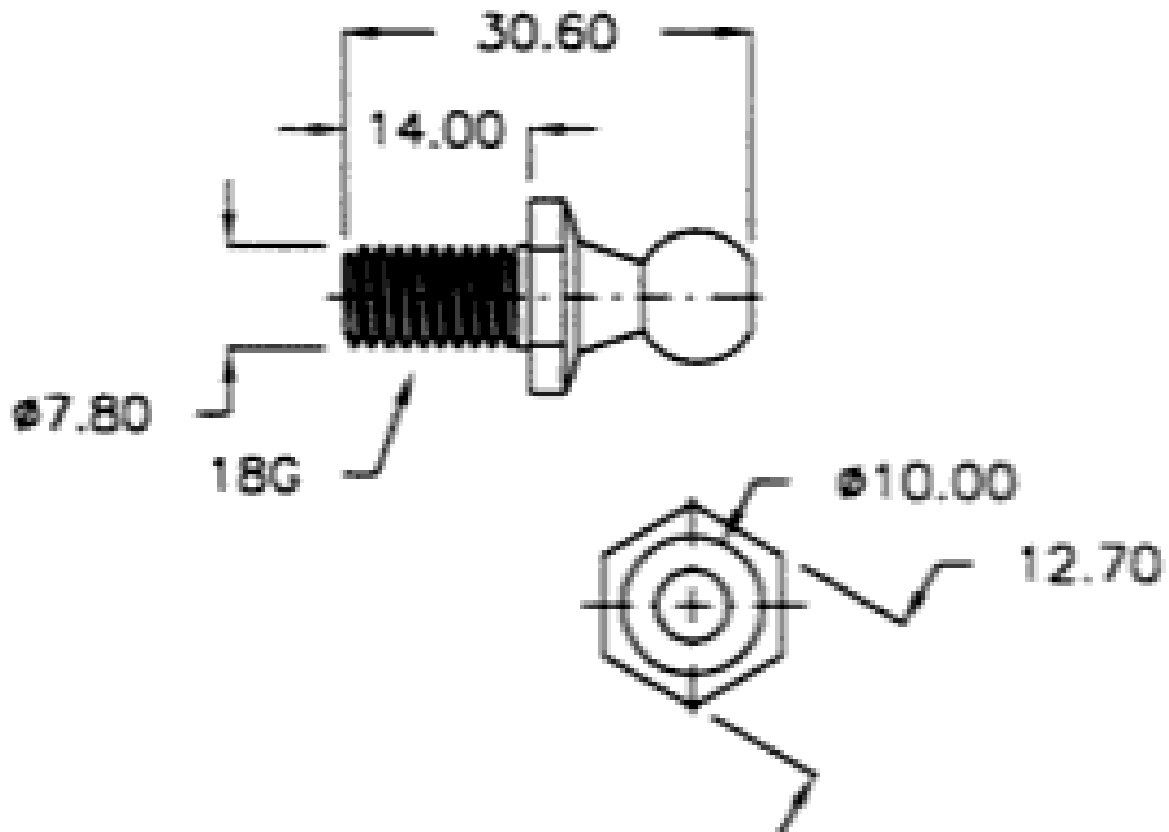
WC711

GAS SPRING MOUNTING BRACKET



SPECIFICATIONS:

PART NO:	WC711
MATERIAL:	Zinc Plated Steel
DESCRIPTION:	GAS SPRING MOUNTING BRACKET



Concept
Latch Lock & Hinge

address: 353 Victoria Street, Brunswick, VIC, 3056
phone: 03 9388 2551 fax: 03 9387 5758
email: sales@conceptlatch.com.au
web: www.conceptlatch.com.au
ABN: 53 098 642 641