

0.55.0230.0

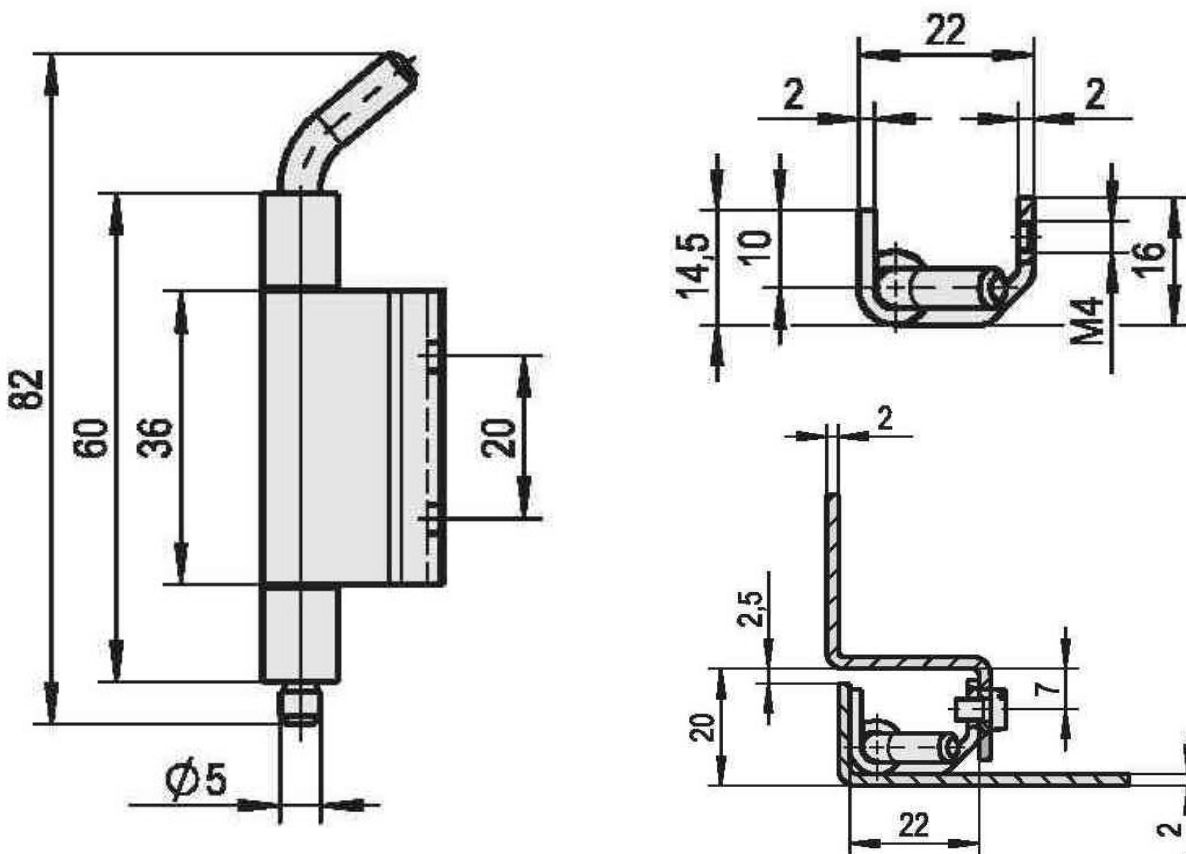
CONCEALED HINGE



SPECIFICATIONS:

PART NO:	0.55.0230.0
MATERIAL:	Steel
ARTICLE INDICATION:	118° Hinge
Pin (mm):	Ø5
Surface Finish:	Galvanised White
Material Gauge (mm):	2
DESCRIPTION:	HINGE, CONCEALED

TECHNICAL INFORMATION:



Concept
Latch Lock & Hinge

address: 353 Victoria Street, Brunswick, VIC, 3056
phone: 03 9388 2551 fax: 03 9387 5758
email: sales@conceptlatch.com.au
web: www.conceptlatch.com.au
ABN: 53 098 642 641