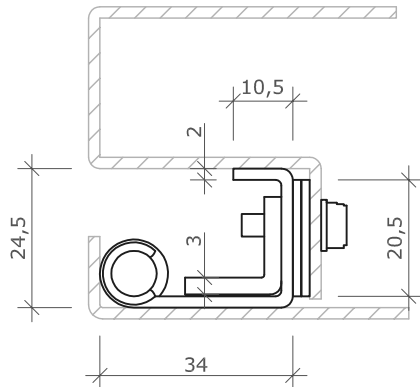
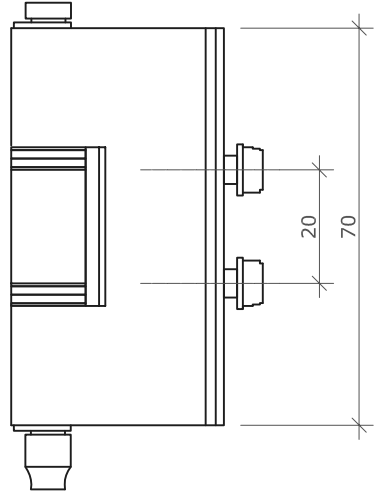




**Concept**  
**Latch Lock & Hinge**

**address:** 353 Victoria Street, Brunswick, VIC, 3056  
**phone:** 03 9388 2551 **fax:** 03 9387 5758  
**email:** sales@conceptlatch.com.au  
**web:** www.conceptlatch.com.au  
**ABN:** 53 098 642 641



**PART:**  
**DHIM-7023**

**DESCRIPTION:** **Concealed Hinge, M.S. Pin, Zinc Plated, Opening Angle 110°**

**SCALE:**  
**not to scale**

**MATERIAL:**  
**Zinc Plated**

**DATE OF DRAWING:**  
**20/09/10**