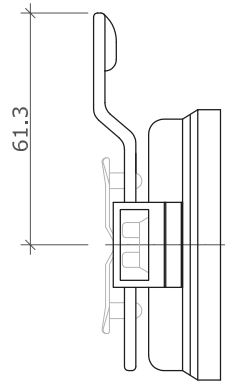
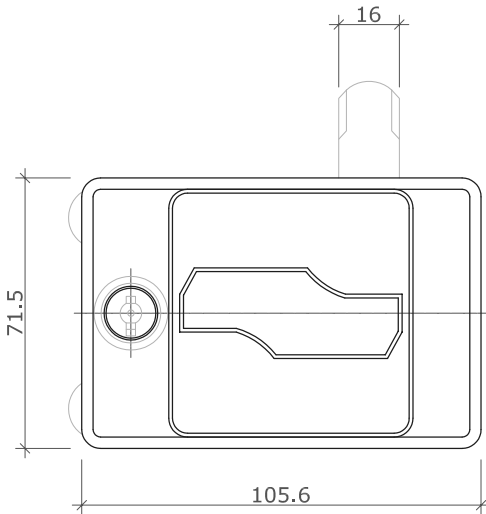




Concept
Latch Lock & Hinge

address: 353 Victoria Street, Brunswick, VIC, 3056
phone: 03 9388 2551 fax: 03 9387 5758
email: sales@conceptlatch.com.au
web: www.conceptlatch.com.au
ABN: 53 098 642 641



PART:
10603

DESCRIPTION: Flush Mount Lock, Cam Action Latch,
1,2 and 3 Point Latch, Quarter Turn Handle.

SCALE:
1:2 @ A5

MATERIAL:
Black ABS Plastic Cup with Zinc
Diecasting.

DATE OF DRAWING:
02/11/10