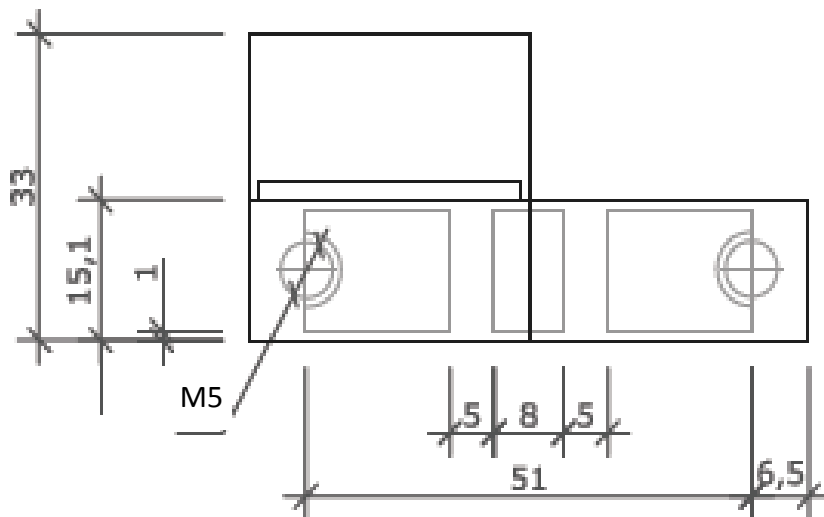
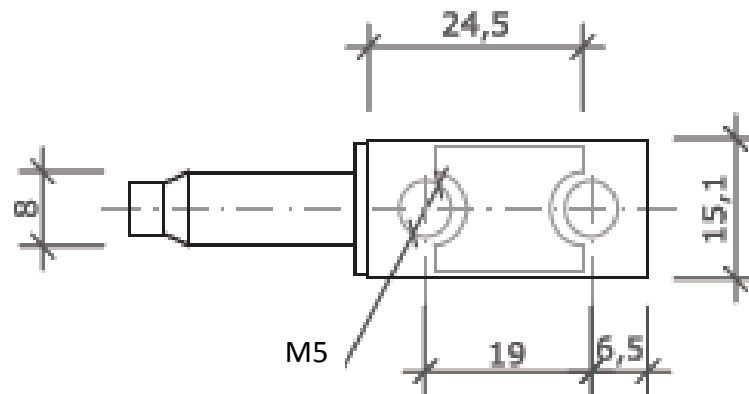




Concept  
Latch Lock & Hinge

address: 353 Victoria Street, Brunswick, VIC, 3056  
phone: 03 9388 2551 fax: 03 9387 5758  
email: sales@conceptlatch.com.au  
web: www.conceptlatch.com.au  
ABN: 53 098 642 641



<b>PART:</b> <b>H00183-RH</b>	<b>DESCRIPTION:</b> Metal Lift Off Hinge (Black), Right Hand.	
<b>SCALE:</b> 1:1 @ A5	<b>MATERIAL:</b>	<b>DATE OF DRAWING:</b> 26/09/10