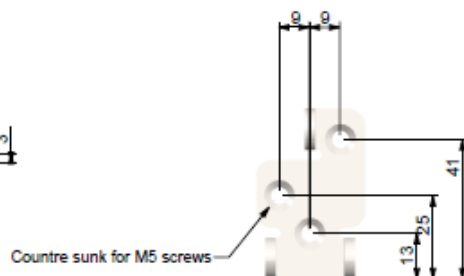
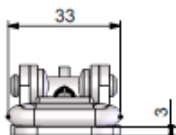
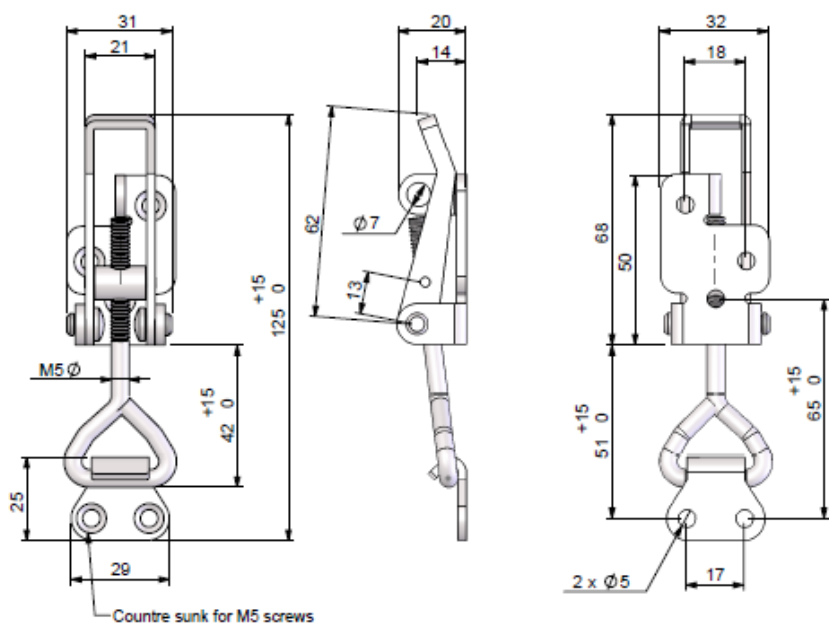


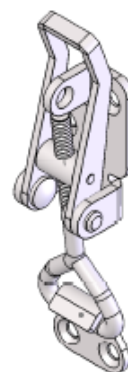


**Concept  
Latch Lock & Hinge**

**address:** 353 Victoria Street, Brunswick, VIC, 3056  
**phone:** 03 9388 2551 fax: 03 9387 5758  
**email:** sales@conceptlatch.com.au  
**web:** www.conceptlatch.com.au  
**ABN:** 53 098 642 641



Bolting plate



<b>PART: OL413</b>	<b>DESCRIPTION: ADJUSTABLE LATCH, KEEPER</b>
<b>MATERIAL: ZINC PLATED,</b>	<b>DATE OF DRAWING: 15/08/2011</b>