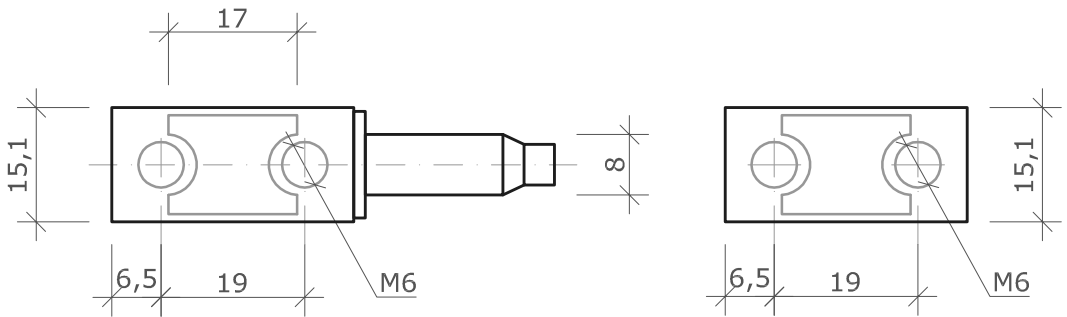




Concept
Latch Lock & Hinge

address: 353 Victoria Street, Brunswick, VIC, 3056
phone: 03 9388 2551 fax: 03 9387 5758
email: sales@conceptlatch.com.au
web: www.conceptlatch.com.au
ABN: 53 098 642 641



PART:
H00184IL

DESCRIPTION: Metal Lift Off Hinge (Black), In-Line

SCALE:
1:1 @ A5

MATERIAL:

DATE OF DRAWING:
26/09/10