



No. 18400

The 18400 series T-Handle is designed to fit most existing T-Handle cutouts due to the innovative blind mount bracket designed for panel ranges of .03" to .125". Product features include an Ergonomic Handle design for a large grip, water-resistant construction, built in cylinder cover hidden below the handle grip, blind mount with no visible fasteners, Double-Bitted key cylinder with over-molded key, padlocking feature for " loop, compression roller cam for ease of operation and tight sealing. Gasket is pre-installed to the receptacle for ease of assembly and water resistance. Cylinder Plug ordered separately with removable plug design for ease of assembly – key series J201-J210

Available with key-cylinder set for Eberhard Power Up™ locking system – see chart
 Available with Plastic Receptacle and Die Cast Handle 18500 series – see chart
 Available in single, 2-point, and 3-point versions – see chart

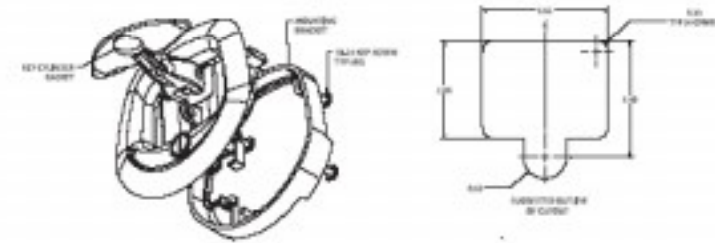
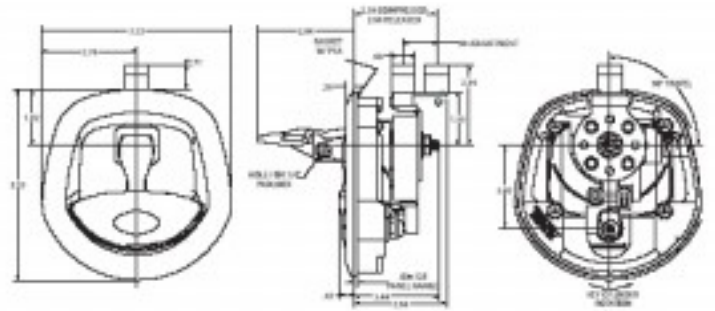
Optional Features:

- Add Logo to the T-handle in Handle recess (Request Quote)
- Add Logo in the handle casting -
- Add Logo to over-molded key lob

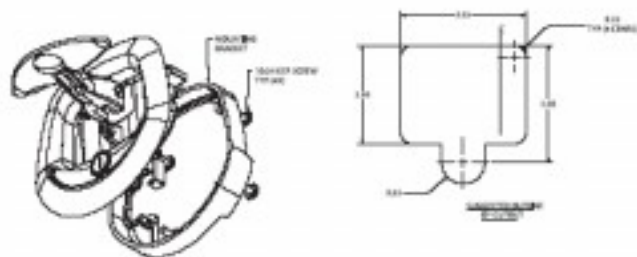
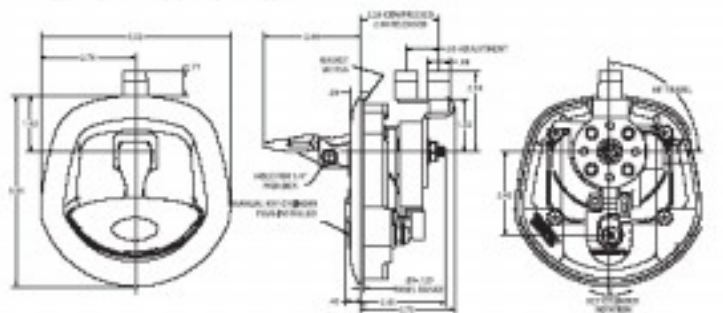
Ancillary Components:

- 18400-DB-09** Cylinder Plug for non-power locking T-handle Assemblies
- 18401-DB-09** Cylinder Plug for power locking T-Handle Assemblies
- 5611-5X-25** 5/16" diameter straight rod 34" length for multipoint 18420, 18520, 18430, 18530, 18421, 18521, 18431, and 18531 series I-handle
- 5646-54-25** Rod Guide for 5/16" diameter rod.
- 1-16619-31-25** Rod Adapter for 12-series multi point T-handles
- 16832-48-25** 5/16 diameter offset rod 48" with nylon roller
- 16832-36-25** 5/16 diameter offset rod 36" with nylon roller
- 16832-24-25** 5/16 diameter offset rod 24" with nylon roller
- 16832-12-25** 5/16 diameter offset rod 12" with nylon roller
- 5646-P5-25** Center case kit consisting of spring washer and cotter pin for 18420, 18520, 18430, 18530, 18421, 18521, 18431, and 18531 series I-handle

Also see Power-Up™ power locking system options



No. 18500 Plastic Series





Part No.	Locking Point	Hand	Receptacle	Die Cast Handle	Power Locking Capable	Rod Tra
18400-54PR-31	Single Point	R.H.	Die Cast - Black Powder	Chrome Fin.	No	N/A
18400-54PL-31	Single Point	L.H.	Die Cast - Black Powder	Chrome Fin.	No	N/A
18400-54PR-30	Single Point	R.H.	Die Cast - Black Powder	Black Powder	No	N/A
18400-54PL-30	Single Point	L.H.	Die Cast - Black Powder	Black Powder	No	N/A
18500-54PR-31	Single Point	R.H.	U.V. Stabilized Black Plastic	Chrome Fin.	No	N/A
18500-54PL-31	Single Point	L.H.	U.V. Stabilized Black Plastic	Chrome Fin.	No	N/A
18500-54PR-30	Single Point	R.H.	U.V. Stabilized Black Plastic	Black Powder	No	N/A
18500-54PL-30	Single Point	L.H.	U.V. Stabilized Black Plastic	Black Powder	No	N/A
18401-54PR-31	Single Point	R.H.	Die Cast - Black Powder	Chrome Fin.	Yes	N/A
18401-54PL-31	Single Point	L.H.	Die Cast - Black Powder	Chrome Fin.	Yes	N/A
18401-54PR-30	Single Point	R.H.	Die Cast - Black Powder	Black Powder	Yes	N/A
18401-54PL-30	Single Point	L.H.	Die Cast - Black Powder	Black Powder	Yes	N/A
18501-54PR-31	Single Point	R.H.	U.V. Stabilized Black Plastic	Chrome Fin.	Yes	N/A
18501-54PL-31	Single Point	L.H.	U.V. Stabilized Black Plastic	Chrome Fin.	Yes	N/A
18501-54PR-30	Single Point	R.H.	U.V. Stabilized Black Plastic	Black Powder	Yes	N/A
18501-54PL-30	Single Point	L.H.	U.V. Stabilized Black Plastic	Black Powder	Yes	N/A
18420-54PR-31	Two Point	R.H.	Die Cast - Black Powder	Chrome Fin.	No	1"
18420-54PL-31	Two Point	L.H.	Die Cast - Black Powder	Chrome Fin.	No	1"
18420-54PR-30	Two Point	R.H.	Die Cast - Black Powder	Black Powder	No	1"
18420-54PL-30	Two Point	L.H.	Die Cast - Black Powder	Black Powder	No	1"
18520-54PR-31	Two Point	R.H.	U.V. Stabilized Black Plastic	Chrome Fin.	No	1"
18520-54PL-31	Two Point	L.H.	U.V. Stabilized Black Plastic	Chrome Fin.	No	1"
18520-54PR-30	Two Point	R.H.	U.V. Stabilized Black Plastic	Black Powder	No	1"
18520-54PL-30	Two Point	L.H.	U.V. Stabilized Black Plastic	Black Powder	No	1"
18421-54PR-31	Two Point	R.H.	Die Cast - Black Powder	Chrome Fin.	Yes	1"
18421-54PL-31	Two Point	L.H.	Die Cast - Black Powder	Chrome Fin.	Yes	1"
18421-54PR-30	Two Point	R.H.	Die Cast - Black Powder	Black Powder	Yes	1"
18421-54PL-30	Two Point	L.H.	Die Cast - Black Powder	Black Powder	Yes	1"
18521-54PR-31	Two Point	R.H.	U.V. Stabilized Black Plastic	Chrome Fin.	Yes	1"
18521-54PL-31	Two Point	L.H.	U.V. Stabilized Black Plastic	Chrome Fin.	Yes	1"
18521-54PR-30	Two Point	R.H.	U.V. Stabilized Black Plastic	Black Powder	Yes	1"
18521-54PL-30	Two Point	L.H.	U.V. Stabilized Black Plastic	Black Powder	Yes	1"
18430-54PR-31	Three Point	R.H.	Die Cast - Black Powder	Chrome Fin.	No	1"
18430-54PR-30	Three Point	R.H.	Die Cast - Black Powder	Black Powder	No	1"
18430-54PL-30	Three Point	L.H.	Die Cast - Black Powder	Black Powder	No	1"
18530-54PR-31	Three Point	R.H.	U.V. Stabilized Black Plastic	Chrome Fin.	No	1"
18530-54PL-31	Three Point	L.H.	U.V. Stabilized Black Plastic	Chrome Fin.	No	1"
18530-54PR-30	Three Point	R.H.	U.V. Stabilized Black Plastic	Black Powder	No	1"
18530-54PL-30	Three Point	L.H.	U.V. Stabilized Black Plastic	Black Powder	No	1"
18431-54PR-31	Three Point	R.H.	Die Cast - Black Powder	Chrome Fin.	Yes	1"
18431-54PL-31	Three Point	L.H.	Die Cast - Black Powder	Chrome Fin.	Yes	1"
18431-54PR-30	Three Point	R.H.	Die Cast - Black Powder	Black Powder	Yes	1"
18431-54PL-30	Three Point	L.H.	Die Cast - Black Powder	Black Powder	Yes	1"

Part No.	Locking Point	Hand	Receptacle	Die Cast Handle	Power Locking Capable	Rod Tra
18531-54PR-30	Three Point	R.H.	U.V. Stabilized Black Plastic	Black Powder	Yes	1"
18531-54PL-30	Three Point	L.H.	U.V. Stabilized Black Plastic	Black Powder	Yes	1"
12-18432-54PR-31	Three Point	R.H.	Die Cast - Black Powder	Chrome Fin.	No	1.38"
12-18432-54PL-31	Three Point	L.H.	Die Cast - Black Powder	Chrome Fin.	No	1.38"
12-18432-54PR-30	Three Point	R.H.	Die Cast - Black Powder	Black Powder	No	1.38"
12-18432-54PL-30	Three Point	L.H.	Die Cast - Black Powder	Black Powder	No	1.38"
12-18532-54PR-31	Three Point	R.H.	U.V. Stabilized Black Plastic	Chrome Fin.	No	1.38"
12-18532-54PL-31	Three Point	L.H.	U.V. Stabilized Black Plastic	Chrome Fin.	No	1.38"
12-18532-54PR-30	Three Point	R.H.	U.V. Stabilized Black Plastic	Black Powder	No	1.38"
12-18532-54PL-30	Three Point	L.H.	U.V. Stabilized Black Plastic	Black Powder	No	1.38"
12-18433-54PR-31	Three Point	R.H.	Die Cast - Black Powder	Chrome Fin.	No	1.38"
12-18433-54PL-31	Three Point	L.H.	Die Cast - Black Powder	Chrome Fin.	No	1.38"
12-18433-54PR-30	Three Point	R.H.	Die Cast - Black Powder	Black Powder	No	1.38"
12-18433-54PL-30	Three Point	L.H.	Die Cast - Black Powder	Black Powder	No	1.38"
12-18533-54PR-31	Three Point	R.H.	U.V. Stabilized Black Plastic	Chrome Fin.	No	1.38"
12-18533-54PL-31	Three Point	L.H.	U.V. Stabilized Black Plastic	Chrome Fin.	No	1.38"
12-18533-54PR-30	Three Point	R.H.	U.V. Stabilized Black Plastic	Black Powder	No	1.38"
12-18533-54PL-30	Three Point	L.H.	U.V. Stabilized Black Plastic	Black Powder	No	1.38"