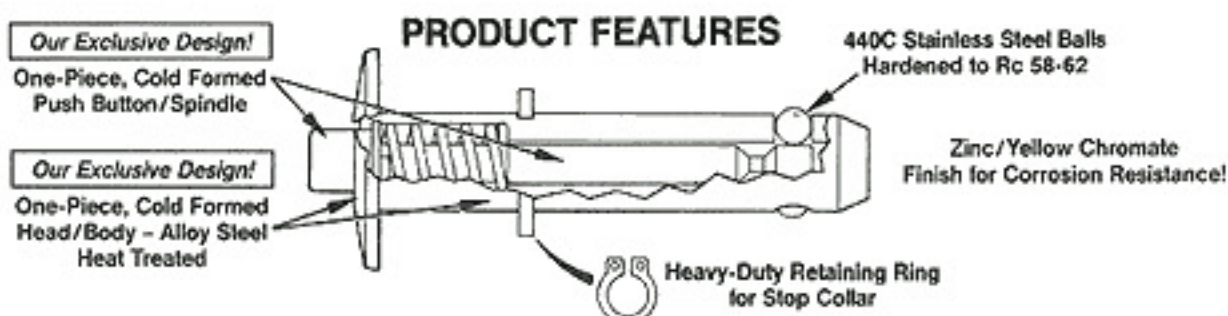
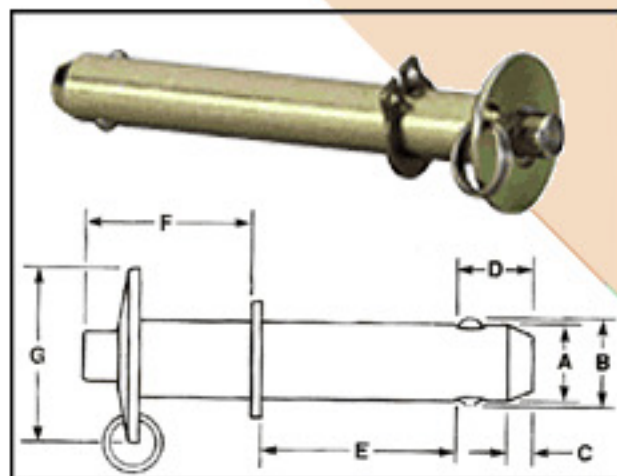


Positive Lock Pins

The newest addition to our family. Positive Lock Pins have a push button that initiates ball action and retraction. Positive locking design combines secure fastening with "quick release" ease of removal. Double ball design increases retention capabilities.

Our unique design features a one-piece, cold formed body, and a one-piece, cold formed spindle. See product features below!

Stocked in heat treated alloy steel for strength and durability. Standard finish is Zinc and Yellow Chromate. Other finishes available.



Positive Lock Pins		
Stock Code	Stock Sizes Diameter x Eff. Length	Approx. Weight/Lbs. Per 100 Pcs.
PL4-500	1/4 X 1/2	2.84
PL4-750	1/4 X 3/4	3.19
PL4-1000	1/4 X 1	3.54
PL4-1250	1/4 X 1-1/4	3.89
PL4-1500	1/4 X 1-1/2	4.24
PL5-1000	5/16 X 1	5.37
PL5-1250	5/16 X 1-1/4	5.90
PL5-1500	5/16 X 1-1/2	6.42
PL5-1750	5/16 X 1-3/4	6.94
PL5-2000	5/16 X 2	7.44
PL6-1000	3/8 X 1	7.70
PL6-1250	3/8 X 1-1/4	8.48
PL6-1500	3/8 X 1-1/2	9.25
PL6-1750	3/8 X 1-3/4	10.03
PL6-2000	3/8 X 2	10.80
PL6-2250	3/8 X 2-1/4	11.58
PL6-2500	3/8 X 2-1/2	12.35
PL8-1000	1/2 X 1	13.65
PL8-1500	1/2 X 1-1/2	16.45
PL8-1750	1/2 X 1-3/4	17.85
PL8-2000	1/2 X 2	19.25
PL8-2500	1/2 X 2-1/2	22.05
PL8-3000	1/2 X 3	24.85
PL8-3500	1/2 X 3-1/2	27.65

Positive Lock Pin Specs

A Shank Diameter	B Ball Height	C Chamfer Length x Deg.	D End Length	E Effective Length	F Top Length	G Head Diameter	H Double Shear/ Pounds
1/4 (2455/2485)	.284/.294	.093 x 22	0.312	As Required	0.870	0.700	8200
5/16 (308/311)	.370/.380	.125 x 22	0.312	As Required	0.870	0.800	12800
3/8 (3705/3735)	.435/.445	.125 x 22	0.375	As Required	0.900	0.860	18400
1/2 (4955/4985)	.589/.599	.125 x 22	0.437	As Required	1.125	1.000	32800