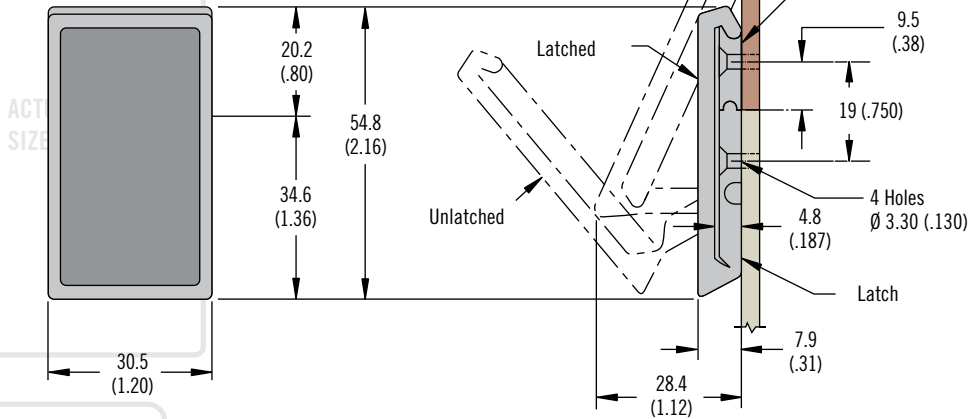


# 07 Draw Latch

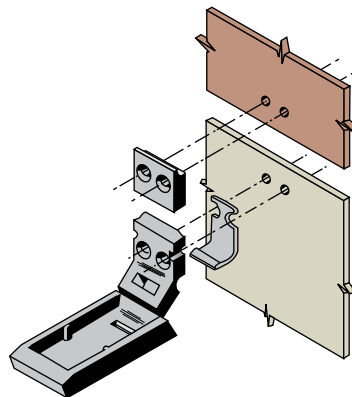
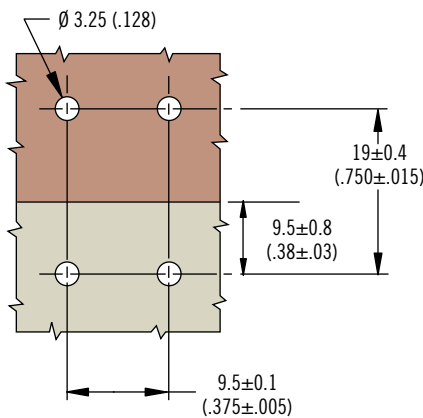
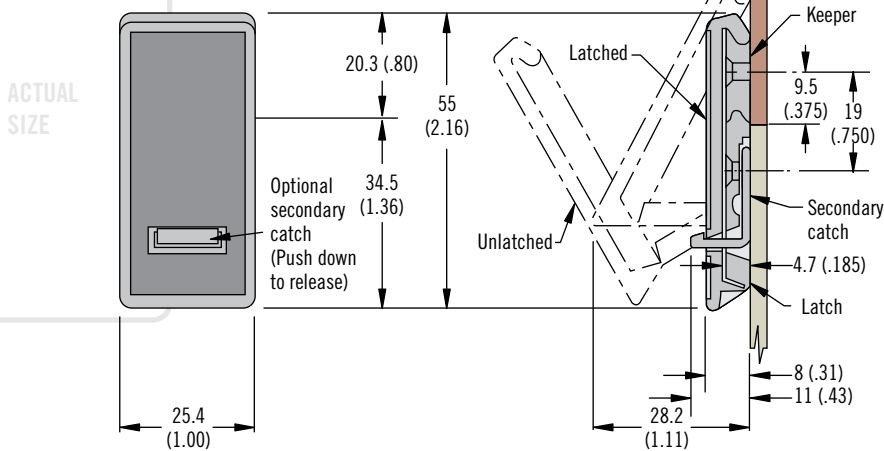
Over-center · Living hinge



## Standard Style



## Secondary Catch Style



- Low profile one piece molded latch
- Concealed mounting
- Secondary catch option to prevent accidental opening

### Material and Finish

Polypropylene black or white  
Secondary catch: acetal black or red

### Performance Details

Max. working load:  
Standard: 445 N (100 lbf)  
Secondary catch: 310 N (70 lbf)  
Operating temperature range:  
0°C (32°F) to 65°C (150°F)  
Flammability rating: UL94-HB

### Installation Notes

Install assembly with four Ø 3 (.125) flat head rivets or M3 (No. 4) flat head screws (not supplied)

### B Base type

- 2 Standard
- 5 Secondary catch

### F Finish

- 11 White (standard only)
- 12 Black (standard only)
- 70 Black with red secondary catch
- 72 Black with black secondary catch

07 - 10 - B 01 - F