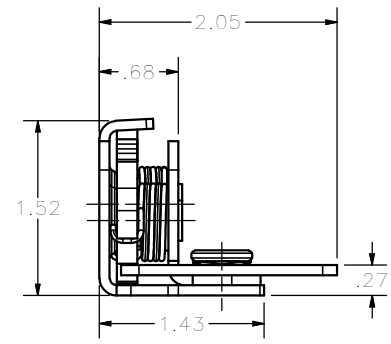
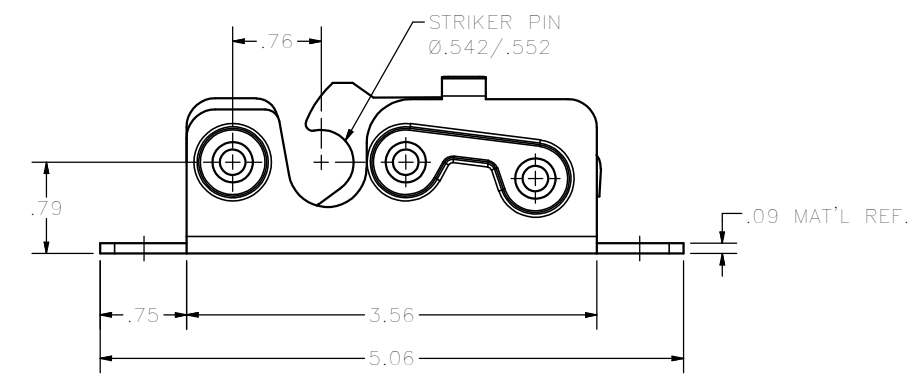
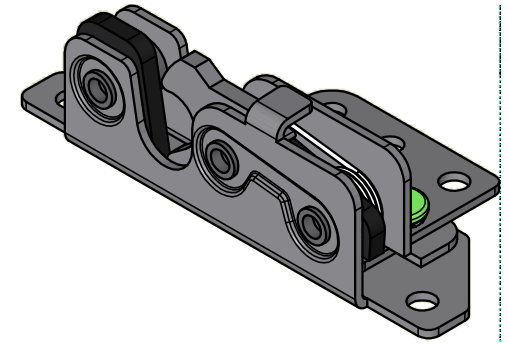
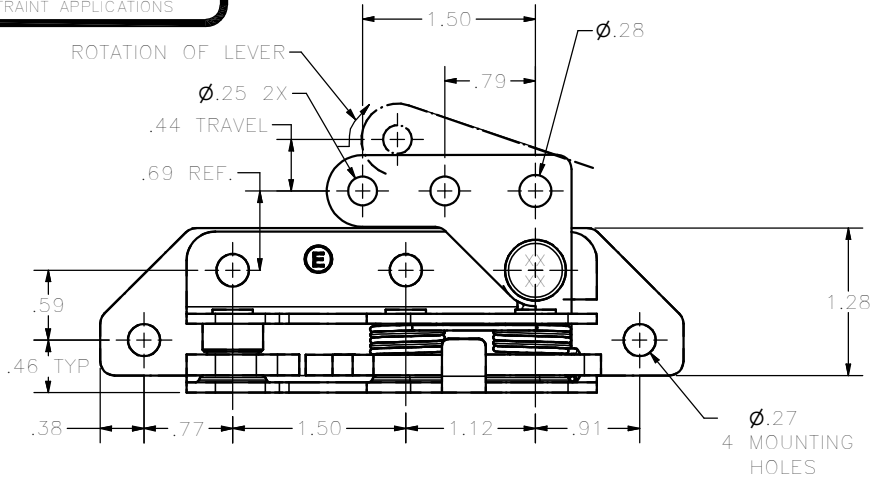


CONFIDENTIAL NOTICE: This drawing and the designs, specifications and engineering information disclosed hereon are the property of Eberhard Manufacturing Company and are not to be disseminated or reproduced without express written consent. The drawing is loaned in confidence and then only for consideration of the matter disclosed hereon. In accepting loan of this drawing, recipient agrees to keep it and the matter disclosed hereon in confidence and not to use nor permit their use in any way detrimental to Eberhard Manufacturing Company, Division of the Eastern Company. 21944 Drake Road, Cleveland, Ohio 44149-9712 © 2010 EBERHARD MFG. CO.

REVISION HISTORY			
REV	DESCRIPTION	EN	DATE
	REVISED & REDRAWN, RELEASED IN 3-D	EN 5462	7-16-10

WARNING
THIS PRODUCT MUST NOT BE USED FOR PERSONAL RESTRAINT APPLICATIONS



SHEET 1 OF 2
RIGHT HAND SHOWN
LEFT HAND OPPOSITE
CUSTOMER PRINT

NOTES:
PRODUCT IS AVAILABLE WITH BEARING GREASE REF. ISOFLEX TOPAS NB 52

FINISH:
(BG) BEARING GREASE
(25) ELECTROPLATED ZINC
(54) EVERLUBE INTERNAL COMPONENTS

SUPERSEDES DRAWING 1-300 RL DATED 4-24-91.

UNLESS OTHERWISE SPECIFIED TOLERANCES ARE AS FOLLOWS:	
ANGLES:	± .2°
2 PLACE DEC.:	± .03
3 PLACE DEC.:	± .015
ALL HOLES:	± .005

DATE: 7/13/2010	NAME: aporter
SCALE: FULL	PART NUMBER: 1-300 RL
CHK. BY:	

EBERHARD MANUFACTURING CO.
DIVISION OF
THE EASTERN COMPANY
CLEVELAND, OHIO 44149-9712

C:\TEMP\2c7f4d6b-87be-4962-bee3-50e9ae0b7962\Pro3\3000\1-300 RL SH1.dwg