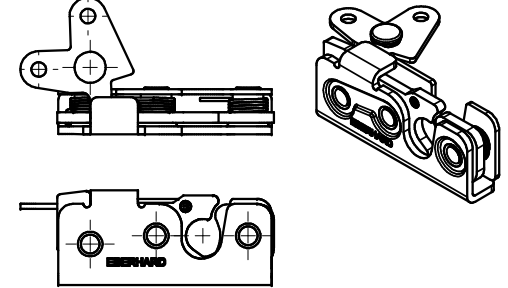


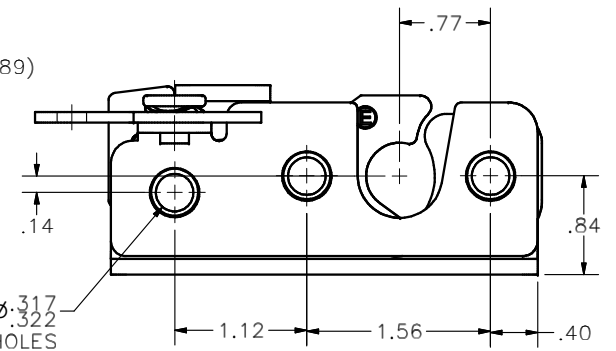
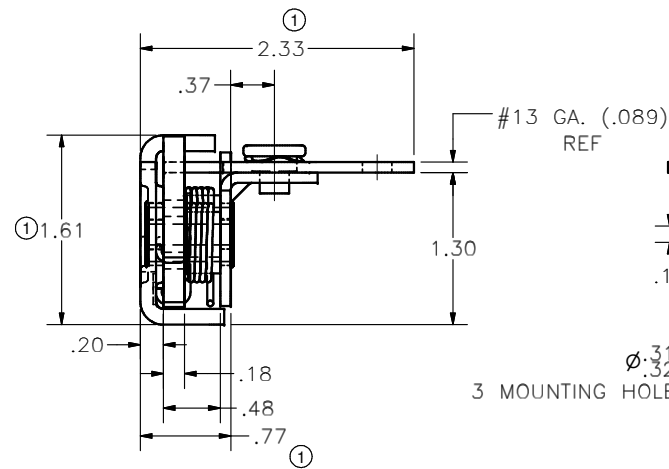
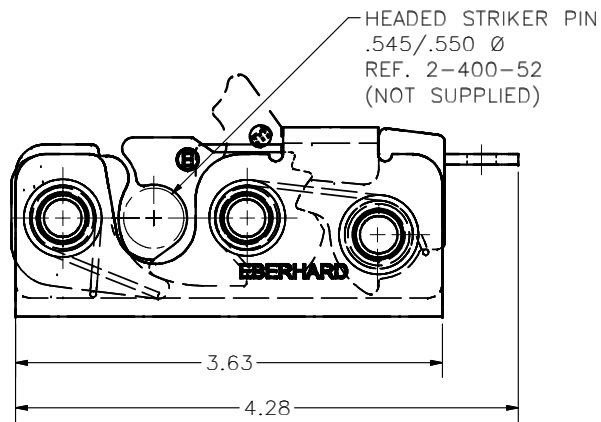
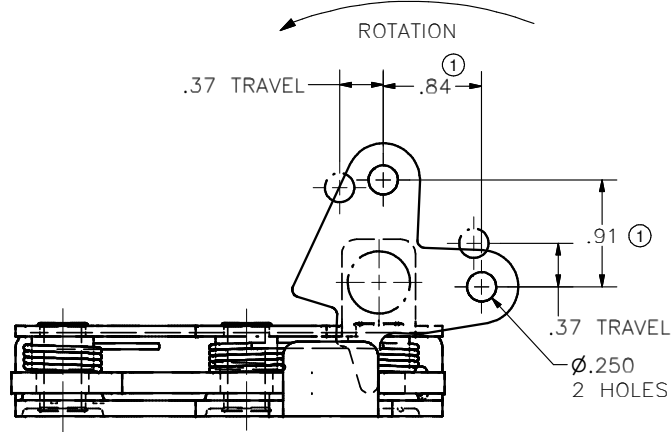
CONFIDENTIAL NOTICE: This drawing and the designs, specifications and engineering information disclosed herein are the property of Eberhard Manufacturing Company and are not to be disseminated or reproduced without express written consent. The drawing is loaned in confidence and then only for consideration of the matter disclosed herein. In accepting loan of this drawing, recipient agrees to keep it and the matter disclosed herein in confidence and not to use nor permit their use in any way detrimental to Eberhard Manufacturing Company, Division of the Eastern Company, 21944 Drake Road, Cleveland, Ohio 44149-9712 © 2010 EBERHARD MFG. CO.

REVISION HISTORY			
REV	DESCRIPTION	EN	DATE
1	RELEASED IN 3D	EN 5482	12/10/2010
1	REVISED DIMENSIONS	EN 5533	12/16/2011



AVAILABLE FINISHES:  
 (25) ELECTROPLATED ZINC  
 (BG) BEARING GREASE WITH EVERLUBE INTERNAL COMPONENTS

LEFT HAND  
SCALE: HALF



CUSTOMER PRINT  
SHEET 1 OF 2  
RIGHT HAND SHOWN  
LEFT HAND OPPOSITE

EBERHARD MANUFACTURING CO.  
DIVISION OF  
THE EASTERN COMPANY  
CLEVELAND, OHIO 44149-9712

UNLESS OTHERWISE SPECIFIED TOLERANCES ARE AS FOLLOWS:  ANGLES: ±2' 2 PLACE DEC.: ±.03 3 PLACE DEC.: ±.015 ALL HOLES: ±.005	DATE 12/8/2010	NAME  ROTARY LOCK
	DR.BY JNOLD	
	SCALE FULL	MATERIAL -----
	CHK.BY	PART NUMBER 1-400R/L

- NOTE:
- USE .312 DIA. GRADE 8 BOLTS FOR INSTALLATION TO MEET FMVSS 206 SAFETY STANDARDS.
  - RECOMMENDED TORQUE FOR TIGHTENING: 130±10IN. LBS.

SUPERSEDES DRAWING 1-400-RL DATED 10-24-08.