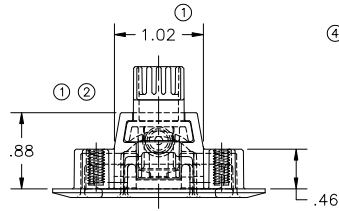


CONFIDENTIAL NOTICE: This drawing and the designs, specifications and engineering information disclosed herein are the property of Eberhard Manufacturing Company and are not to be disseminated or reproduced without express written consent. The drawing is based in confidence and then only for consideration of the matter disclosed herein. In accordance hereof, recipient agrees to keep it and the matter disclosed herein in confidence and not to use nor permit their use in any way detrimental to Eberhard Manufacturing Company, Division of the Eastern Company, 21944 Drake Road, Cleveland, Ohio 44149-9712 © 2010 EBERHARD MFG. CO.

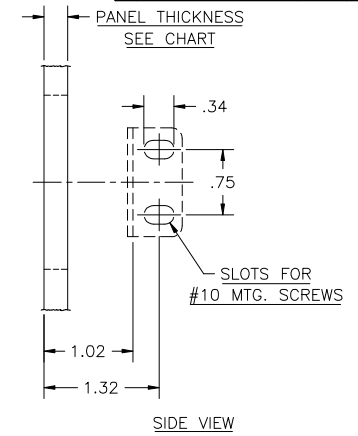
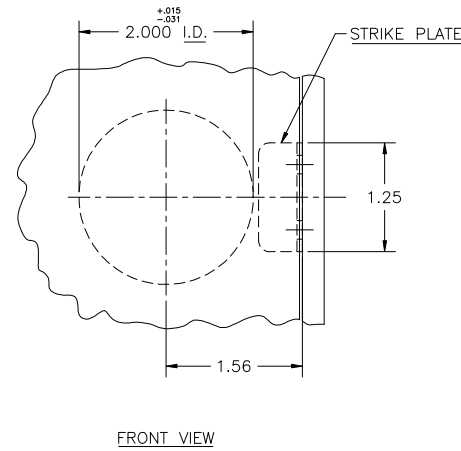
PART NUMBER	PANEL THICKNESS		MTG. BRACKET HEIGHT	MTG. SCREW LENGTH
	MIN.	MAX.		
1030-A	.035	.275	.59	.50
1030-B	.275	.475	.59	.69
1030-C	.475	.675	.15	.50
1030-D	.675	.875	.15	.69

NOTE:
 1) HANDLE & RECEPTACLE ARE TRADEMARKS OF EBERHARD MANUFACTURING CO., DIVISION OF THE EASTERN CO.
 2) THIS PRODUCT IS TO BE ROHS COMPLIANT.

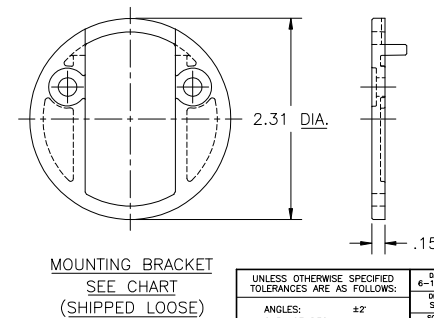
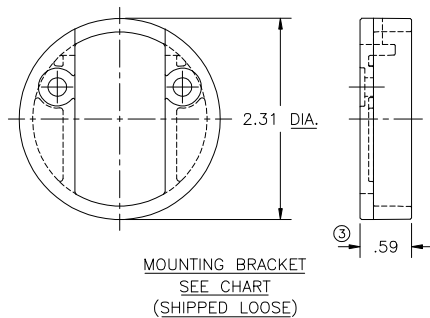
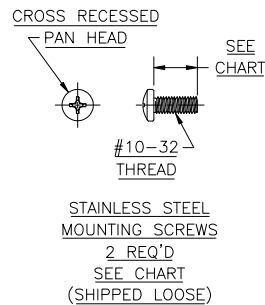
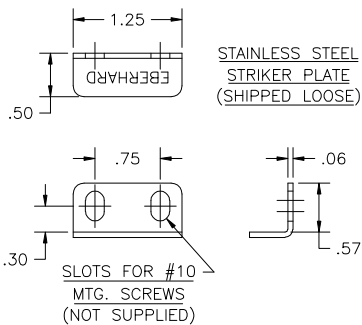
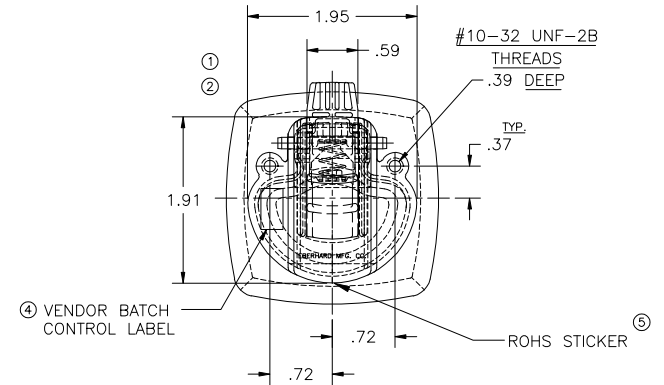
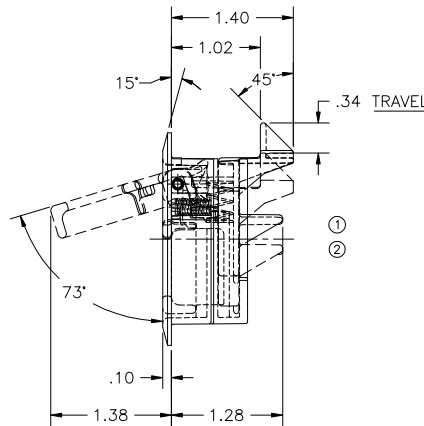
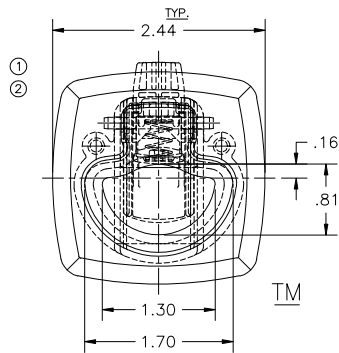
4 AVAILABLE FINISHES:
 MATTE BLACK (MB) W/ (BL) CYLINDER
 MATTE WHITE (MW) W/ (09) CYLINDER



SUGGESTED CUTOUT



NO	CHANGE	ENG. NO.	DATE
	RELEASED, WAS M7286 SHEET 1 OF 2 CHART	EN 4949	6-16-00
1	REVISED VIEWS TO DETAIL, REVISED DIMENSION	EN 4985	10-16-00
2	REVISED VIEWS TO DETAIL	EN 5022	11-16-01
3	.035 WAS .075, .59 WAS .26	EN 5438	1-29-10
4	ADDED BATCH INFO, REVISED FINISH INFO	EN 5446	3-28-10
5	ADD SEPARATE ROHS STICKER	EN 5465	08-06-2010



UNLESS OTHERWISE SPECIFIED TOLERANCES ARE AS FOLLOWS:
 ANGLES: ±2°
 2 PLACE DEC.: ±.03
 3 PLACE DEC.: ±.015
 ALL HOLES: ±.005

DATE: 6-14-00
 DWR/ SJA
 SCALE: FULL
 CHK. BY:

NAME: PULL RING SLAM LATCH ASSEMBLY - NON LOCKING
 MATERIAL: PART NUMBER: 1030
 CHART:

CUSTOMER PRINT
 PATENT PENDING
 SHEET 1 OF 2

EBERHARD MANUFACTURING CO.
 DIVISION OF
 THE EASTERN COMPANY
 CLEVELAND, OHIO 44149-9712