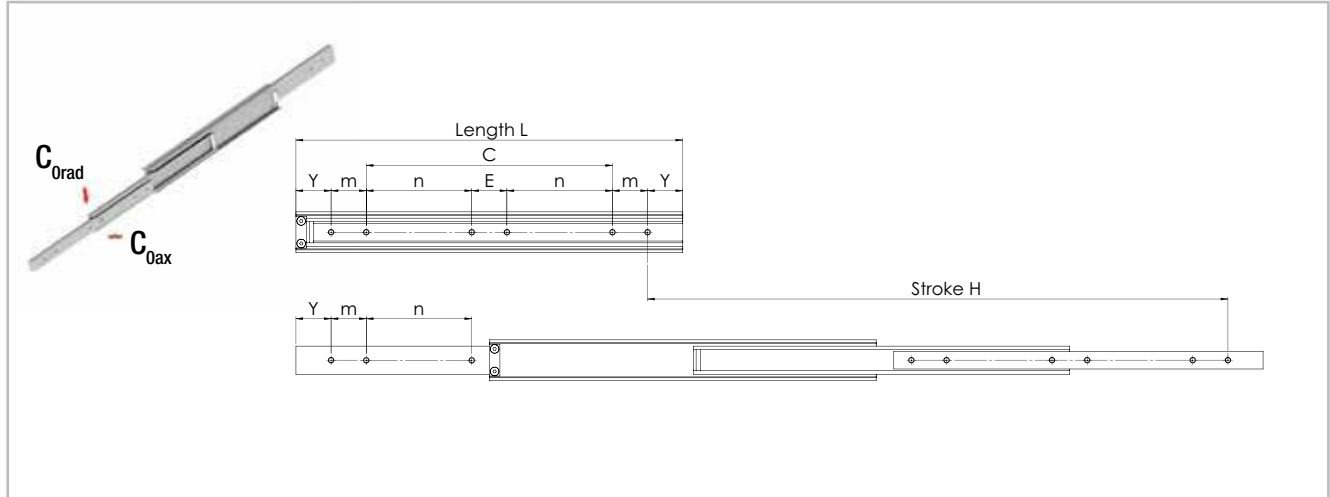


Over extension

> H1D045, H1D050, H1D058



All dimensions are indicated in mm

Fig. 77

Type	Size	Length	Stroke	Load capacity per pair $C_{Orad}$ [N]	Y	m	n	E	C	Number of holes			
		L [mm]	H [mm]										
H1D	45	250	375	500	50	50			50	4			
		300	450	550					100				
		350	525	600					150				
		400	600	650					200				
		450	675	650					250				
		500	750	650					300				
		550	825	650					150		50	-	6
		600	900	600					175				
		650	975	600					200				
		700	1050	550					225				
	750	1125	500	250									
	800	1200	450	275									
	850	1275	400	300	50	-	6						
	900	1350	350	325									
	950	1425	300	350									
	1000	1500	250	375									

The load capacity for aluminum is 40% and for stainless steel 60% of the stated values, if available in this material variant (see Technical features overview).

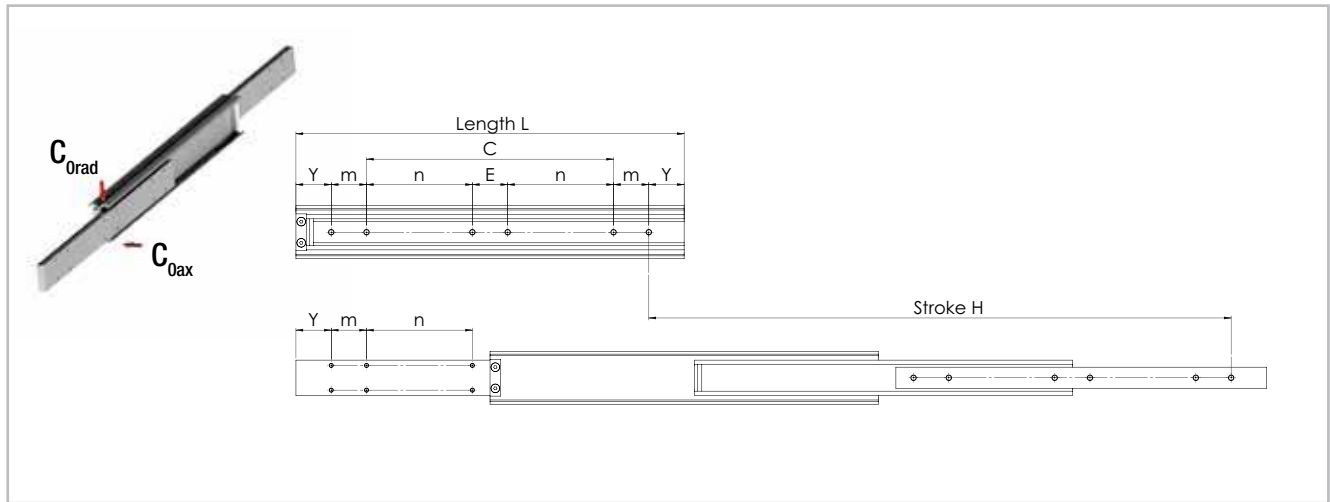
Tab. 31

Type	Size	Length	Stroke	Load capacity per pair	Y	m	n	E	C	Number of holes									
		L [mm]	H [mm]	C <sub>0rad</sub> [N]															
H1D	50	250	375	600	50	50	-	-	-	50	4								
		300	450	650						100									
		350	525	700						150									
		400	600	750						200									
		450	675	800						250									
		500	750	750						300									
		550	825	720			150	50	-	-	6								
		600	900	690			175												
		650	975	650			200												
		700	1050	610			225												
		750	1125	570			250												
		800	1200	540			275												
		850	1275	500			300												
		900	1350	450			325												
		950	1425	400			350												
		1000	1500	350			375												
		H1D	58	300			450					1700	50	50	-	-	-	100	4
				350			525					1800						150	
400	600			1850	200														
450	675			1900	250														
500	750			1900	300	50	-	-	6										
550	825			1850	150														
600	900			1800	175														
650	975			1750	200														
700	1050			1700	225														
750	1125			1650	250														
800	1200			1600	275														
850	1275			1530	300														
900	1350			1460	325														
950	1425			1390	350														
1000	1500			1320	375														
1100	1650			1190	425														
1200	1800			1060	475														
1300	1950			920	525														
1400	2100	760	575																
1500	2250	600	625																

The load capacity for aluminum is 40% and for stainless steel 60% of the stated values, if available in this material variant (see Technical features overview).

Tab. 32

> H1D075



All dimensions are indicated in mm

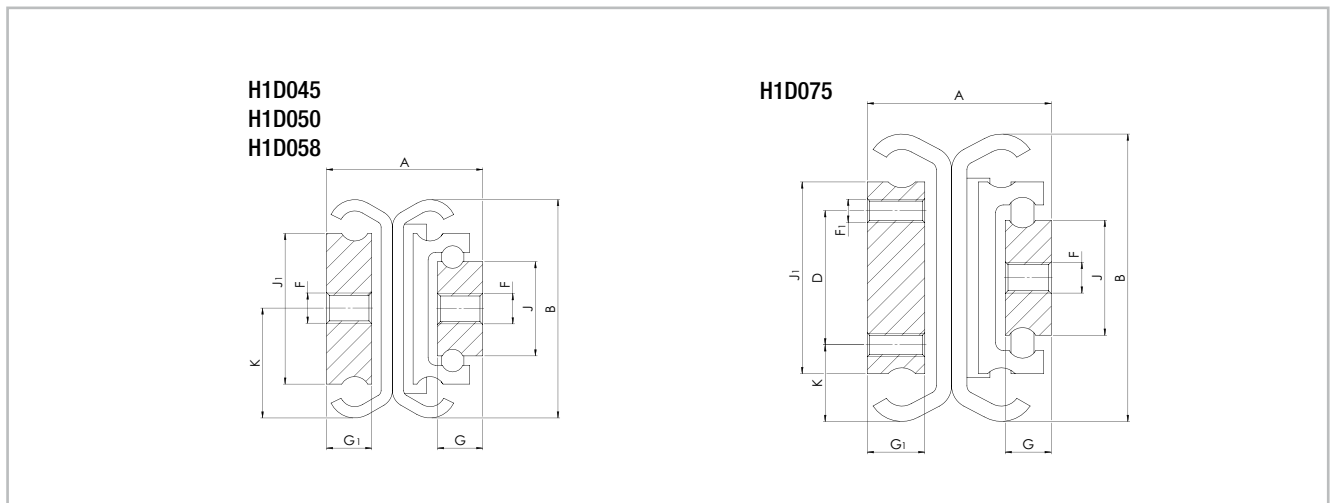
Fig. 78

Type	Size	Length L [mm]	Stroke H [mm]	Load capacity per pair $C_{Orad}$ [N]	Y	m	n	E	C	Number of holes		
										M6	M8	
H1D	75	300	450	2400	50	50				100	8	4
		350	525	2500						150		
		400	600	2550						200		
		450	675	2600						250		
		500	750	2600						300		
		550	825	2550			150	50	-	-	12	6
		600	900	2500			175					
		650	975	2450			200					
		700	1050	2400			225					
		750	1125	2350			250					
		800	1200	2300			275					
		850	1275	2250			300					
		900	1350	2200			325					
		950	1425	2150			350					
		1000	1500	2100			375					
		1100	1650	2000			425					
		1200	1800	1850			475					
		1300	1950	1700			525					
		1400	2100	1550			575					
1500	2250	1400	625									

The load capacity for aluminum is 40% and for stainless steel 60% of the stated values, if available in this material variant (see Technical features overview).

Tab. 33

## > H1D



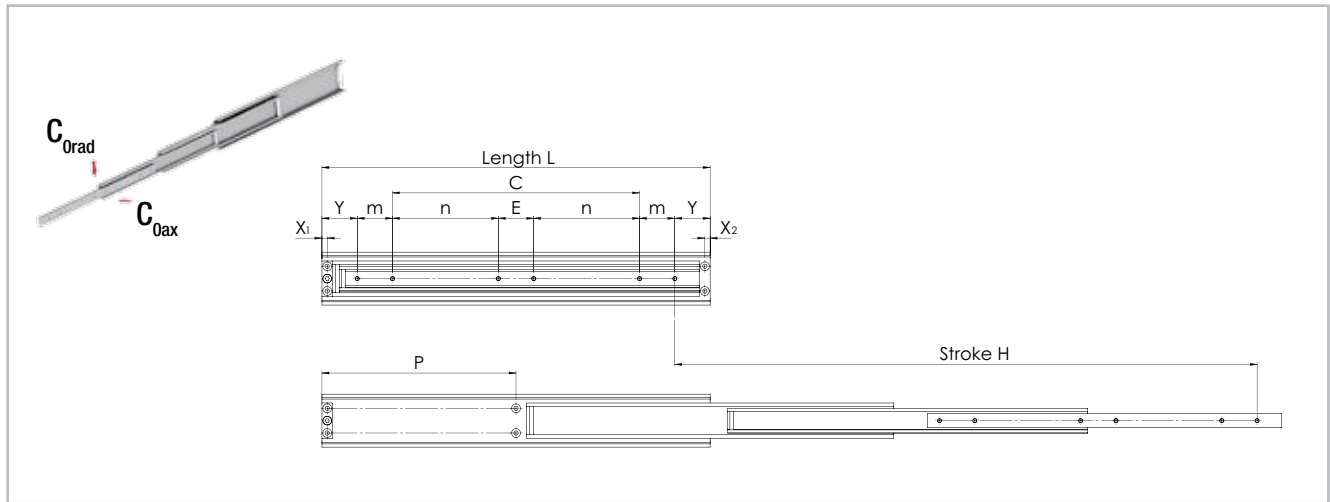
All dimensions are indicated in mm

Fig. 79

Type	Size	A	B	J	J1	G	G1	K	D	F	F1	Weight [kg/m]
H1D	45	36	45	16	30	10	10	22.5	-	M6	-	7.80
	50	37.5	50	20	35	12	10	25	-	M6	-	9.60
	58	41.5	58	25	40	12	12	29	-	M8	-	8.80
	75	48	75	30	50		15	20	35		M6	18.35

Tab. 34

> H1C075



All dimensions are indicated in mm

Fig. 80

Type	Size	Length	Stroke	Load capacity per pair $C_{Orad}$ [N]	X1	X2	Y	m	n	E	C	P	Number of holes
		L [mm]	H [mm]										
H1C	75	300	450	1200	7.5	7.5	50	50	-	50	100	-	4
		350	525	1250							150		
		400	600	1300							200		
		450	675	1350							250		
		500	750	1300							300		
		550	825	1200							150	275	6
		600	900	1150							175	300	
		650	975	1100							200	325	
		700	1050	1050							225	350	
		750	1125	1000							250	325	
		800	1200	950							275	400	
		850	1275	900							300	425	
		900	1350	850							325	450	
		950	1425	800							350	475	
		1000	1500	750							375	500	
		1100	1650	650							425	550	
		1200	1800	550							475	600	
		1300	1950	450							525	650	
		1400	2100	350							575	700	
1500	2250	200	325	750									

The load capacity for aluminum is 40% and for stainless steel 60% of the stated values, if available in this material variant (see Technical features overview).

Tab. 35

> H1C075

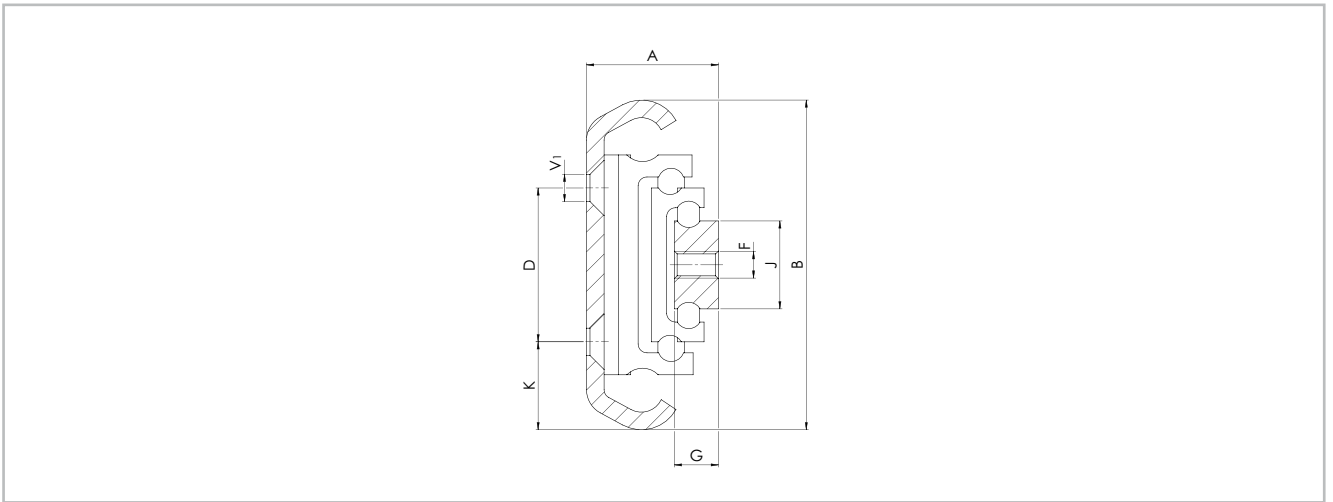


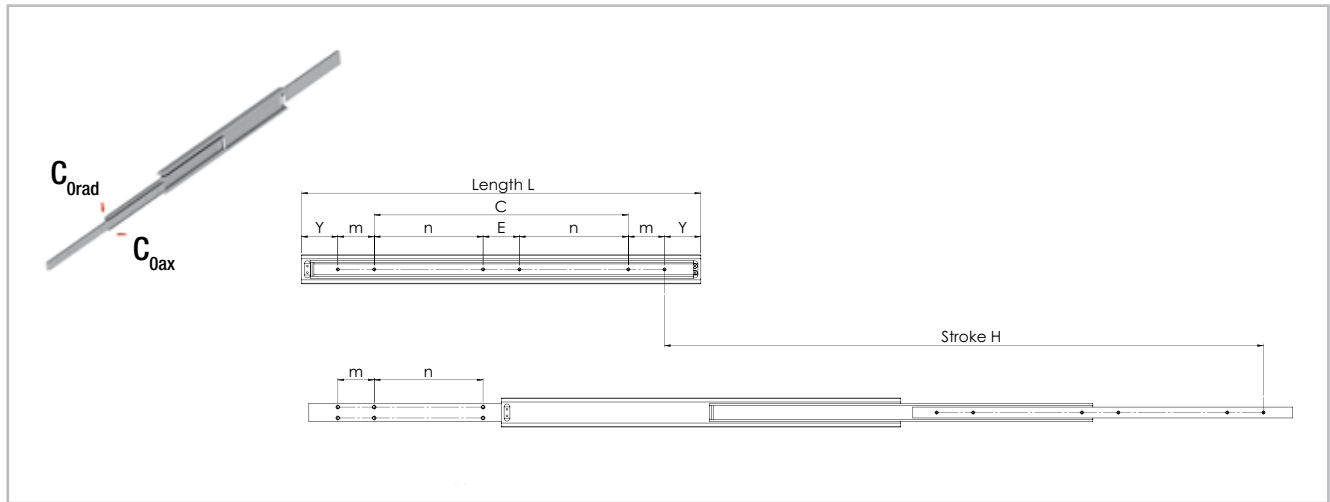
Fig. 81

All dimensions are indicated in mm  
 V1 Mounting holes (V) for countersunk screws according to DIN 7991/ISO 10642

Type	Size	A	B	J	G	K	D	F	V1	Weight [kg/m]
H1C	75	30	75	20	10	20	35	M6	M6	8.60

Tab. 36

> H1T060, H1T080



All dimensions are indicated in mm

Fig. 82

Type	Size	Length L [mm]	Stroke H [mm]	Load capacity per pair $C_{0rad}$ [N]	Y	m	n	E	C	Number of holes		
										M6	M8	
H1T	60	300	450	2400	50	50				100	8	4
		350	525	2500						150		
		400	600	2550						200		
		450	675	2600						250		
		500	750	2600						300		
		550	825	2550			150	50	-	-	12	6
		600	900	2500			175					
		650	975	2450			200					
		700	1050	2400			225					
		750	1125	2350			250					
		800	1200	2300			275					
		850	1275	2250			300					
		900	1350	2200			325					
		950	1425	2150			350					
		1000	1500	2100			375					
		1100	1650	2000			425					
		1200	1800	1850			475					
		1300	1950	1700			525					
		1400	2100	1550			575					
1500	2250	1400	625									

The load capacity for aluminum is 40% and for stainless steel 60% of the stated values, if available in this material variant (see Technical features overview).

Tab. 37

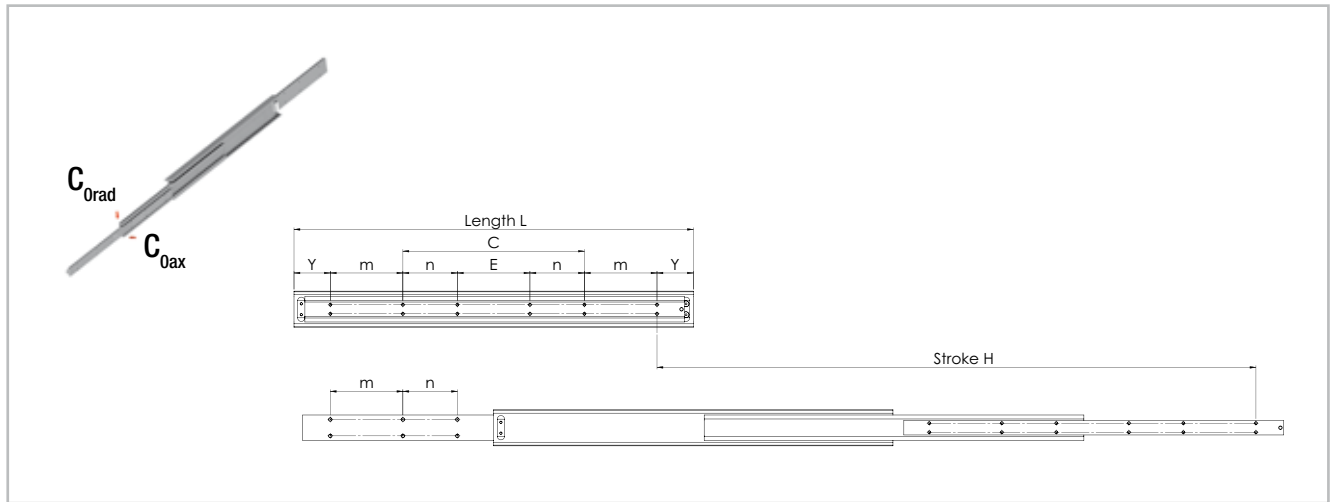
Type	Size	Length		Stroke		Load capacity per pair C <sub>0rad</sub> [N]	Y	m	n	E	C	Number of holes	
		L [mm]	H [mm]	M8	M10								
H1T	80	500	750	3100	100	100	-	-	-	-	100	4	8
		550	825	3150							150		
		600	900	3200							200		
		650	975	3150							250		
		700	1050	3100							300		
		750	1125	3000							350		
		800	1200	2900							400		
		850	1275	2800							450		
		900	1350	2700							500		
		950	1425	2600							550		
		1000	1500	2500							600		
		1100	1650	2280							300		
		1200	1800	2060							350		
		1300	1950	1840							400		
		1400	2100	1620							450		
		1500	2250	1400							500		
									100	-	6	12	

The load capacity for aluminum is 40 % and for stainless steel 60 % of the stated values, if available in this material variant (see Technical features overview).

Tab. 38



> H1T100, H1T150



All dimensions are indicated in mm

Fig. 83

Type	Size	Length		Load capacity per pair $C_{Orad}$ [N]	Y	m	n	E	C	Number of holes
		L [mm]	H [mm]							
H1T	100	700	1050	5500	100	200	-	-	100	8
		750	1125	5500					150	
		800	1200	5300					200	
		850	1275	5100					250	
		900	1350	4700					300	
		950	1425	4500					350	
		1000	1500	4300					400	
		1100	1650	400					150	
	1200	1800	3700	200						
	1300	1950	3400	250						
	1400	2100	3100	300						
	1500	2250	2900	350						
	1600	2400	2600	400						
	1700	2550	2300	450						
	1800	2700	2000	500						
	1900	2850	1700	550						
	2000	3000	1400	600						

The load capacity for aluminum is 40% and for stainless steel 60% of the stated values, if available in this material variant (see Technical features overview).

Tab. 39

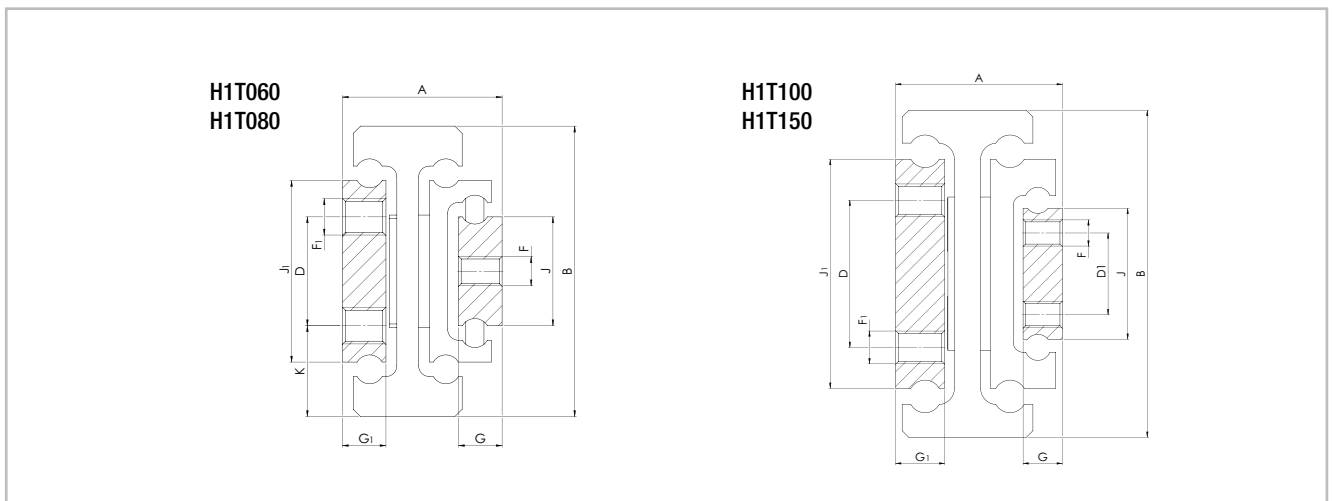
Other sizes and versions are available on request

Type	Size	Length L [mm]	Load capacity per pair	
			$C_{0rad}$ [N]	$C_{0ax}$ [N]
H1T	150	700	7000	on request
		⋮	⋮	
		2000	2300	

Tab. 40

The load capacity for aluminum is 40% and for stainless steel 60% of the stated values, if available in this material variant (see Technical features overview).

## > H1T



All dimensions are indicated in mm

Fig. 84

Type	Size	A	B	J	J1	G	G1	K	D	D1	F	F1	Weight [kg/m]
H1T	60	40.5	60	25	40	12	10	19	22	-	M8	M6	12.90
	80	44	80	30	50		12	25	30			M10	18.60
	100	51	100	40	70		15	27.5	45			25	28.60

Tab. 41