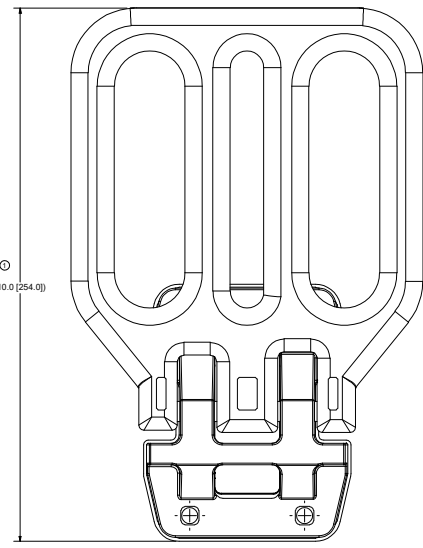
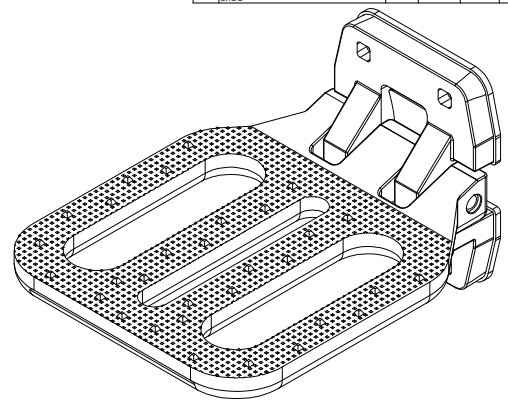
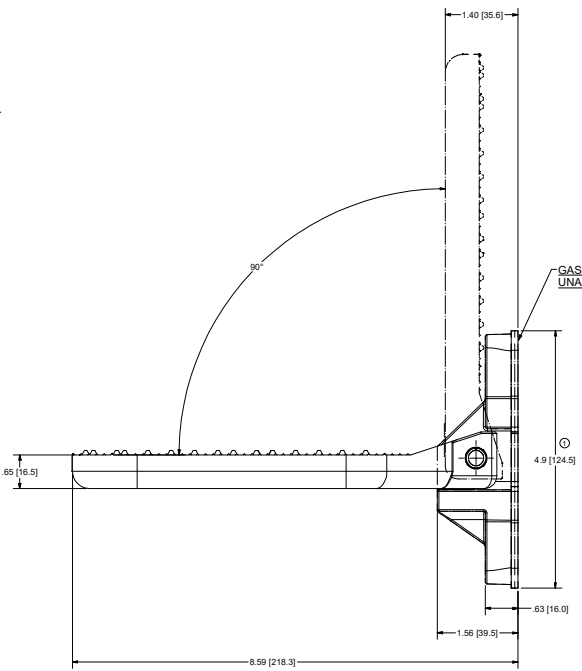
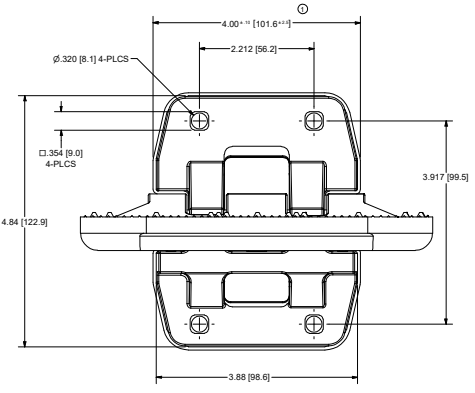
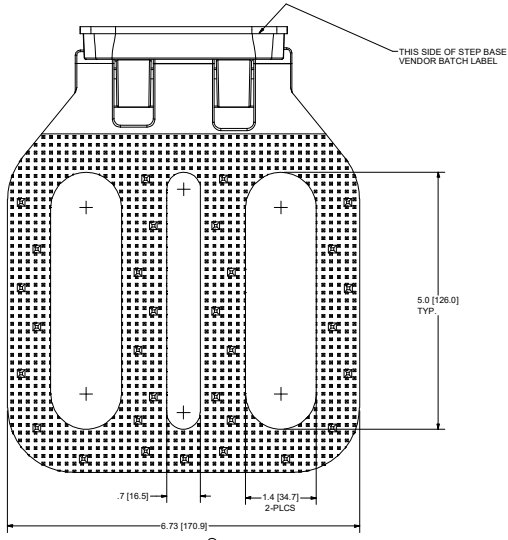


CONFIDENTIAL NOTICE: This drawing and the methods, manufacture and engineering information disclosed herein are the property of Eberhard Manufacturing Company and are not to be disseminated or reproduced without written consent of Eberhard Manufacturing Company. In the event of any unauthorized disclosure, Eberhard Manufacturing Company shall be liable for all damages sustained by the company or its customers. © 2011 EBERHARD MFG. CO.

| REVISION HISTORY | | | | |
|------------------|---|------|------------|---------------------|
| REV. | DESCRIPTION | EN. | DATE | REV. BY / APP'D. BY |
| 1 | REDRAWN IN 3D REFER TO PPT 12336 | 6163 | 12/12/2014 | KAB / MS |
| 1 | ADDED NOTE#4. DIMENSION TOLERANCES CHG'D. | 6175 | 10/21/2016 | KAB / MR |



- NOTES:
- 1) EBERHARD FINISH: (05) CHROME FLASH DUPLEX NICKEL.
 - 2) TESTING LOAD CAPACITY: MAX LOAD 100LBS.
 - 3) USE GRADE 8, 5/16 ROUND HEAD OR CARRIAGE HEAD BOLTS FOR INSTALLATION.
 - 4) DIMENSIONS ARE FOR REFERENCE ONLY.

CUSTOMER PRINT
SHEET 1 OF 2

| EBERHARD MANUFACTURING CO. | | DIVISION OF THE EASTERN COMPANY | |
|-----------------------------------|--|------------------------------------|--|
| 16777 PK SH HW | | COLUMBIA, OH 43082-8792 | |
| FOLDING FOOTSTEP, SQUARE ASSEMBLY | | PART NUMBER | |
| DIE CAST ZINC | | 16777-PK | |

SUPersedes DRAWING 16777-PK DATED 01-14-16

C:\Working_7\csm\working\p311000105\16777_16777-PK_S11.rvt