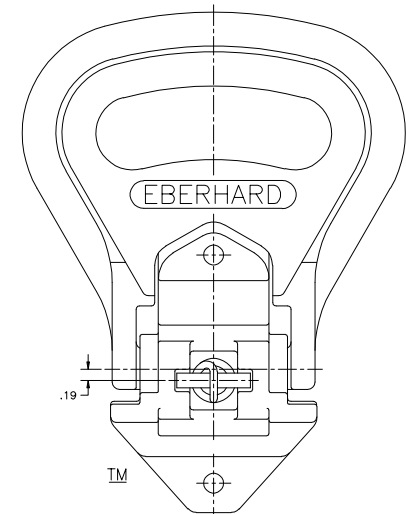


- NOTES:
- 1) STEP WILL SUSTAIN A MIN. STATIC LOAD OF 500 lbs.
 - 2) APPROX. WT. 3.5 lbs. (MALLEABLE IRON CASTINGS, STAINLESS SPRING & PINS).
- FINISHES AVAILABLE:
- 1) BRIGHT CHROME (03) FINISH PER ASTM B456SC3, VENDOR TO CERTIFY FINISH.
 - 2) HOT DIP GALVANIZE (13) PER ASTM A 123, ASTM A 153.
 - 3) MIL-P-52192 EPOXY PRIMER, MIL-C-46168 TYPE GREEN 383
COLOR NUMBER 34094 TOPCOAT PER MIS 26183, EBERHARD FINISH: (GR)
 - 4) CADMIUM (02) FINISH
 - 5) QQ-P-416 (19) FINISH

PATENTED NO. 4,462,486 CAN. 1,209,181
DES. 276,716
PRINCIPAL REGISTER NO. 2,206,298

TM - TRADEMARK
- BASE PLATE
- STEP PLATE II



VIEW B-B
FOLDING FOOT STEP
IN CLOSED POSITION

CUSTOMER PRINT
SHEET 1 OF 2

EBERHARD MANUFACTURING CO.
DIVISION OF
THE EASTERN COMPANY
CLEVELAND, OHIO 44149-9712

NO.	CHANGE	ENGR.	DATE	UNLESS OTHERWISE SPECIFIED TOLERANCES ARE AS FOLLOWS:	BY	DATE
1	ISSUED	DR 380	8-28-12	ANGLES: ±.1°	DRP	
1	1.5X 17-70 W6 S30	DR 380	8-10-12	2 PLACES DEC: ±.015	DRP	
				3 PLACES DEC: ±.010	DRP	
				ALL HOLES: ±.005	DRP	

FOLDING FOOT STEP
ASSEMBLY

PART NUMBER
2-585809