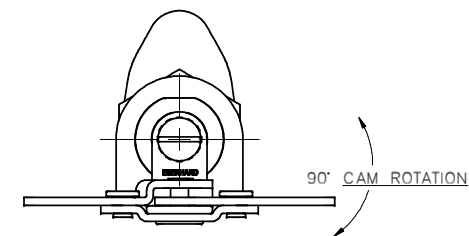
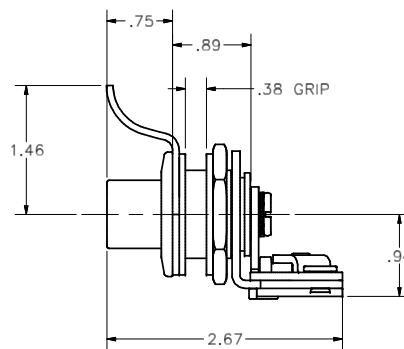
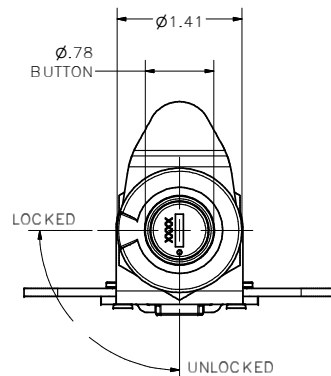
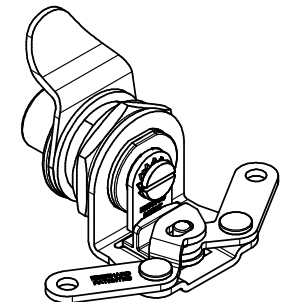
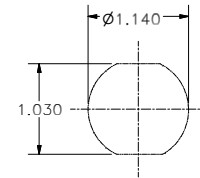
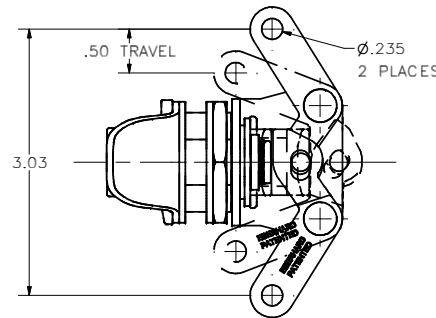
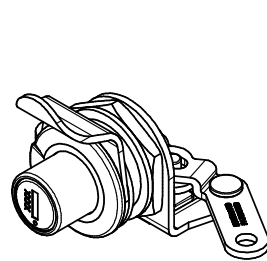
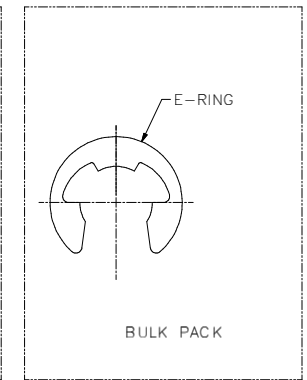
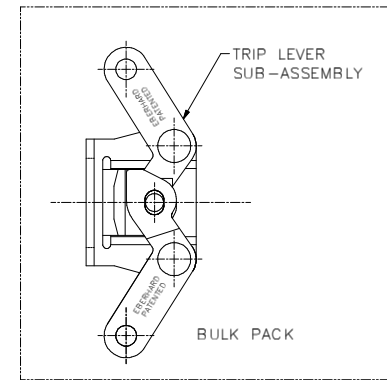
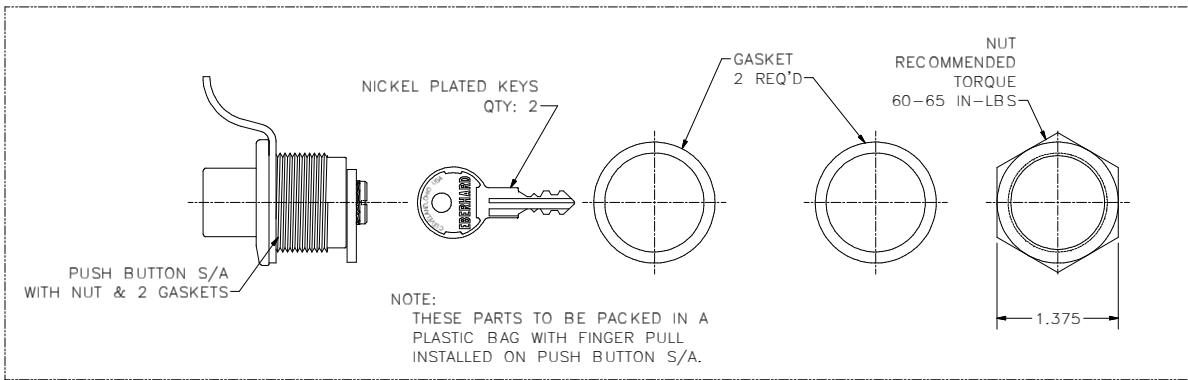


**CONFIDENTIAL NOTICE:** This drawing and the designs, specifications and engineering information disclosed herein are the property of Eberhard Manufacturing Company and are not to be disseminated or reproduced without express written consent. The drawing is loaned in confidence and then only for consideration of the matter disclosed herein. In accepting loan of this drawing, recipient agrees to keep it and the matter disclosed herein in confidence and not to use nor permit their use in any way detrimental to Eberhard Manufacturing Company, Division of the Eastern Company, 21044 Drake Road, Cleveland, Ohio 44149-9712. © 2013 EBERHARD MFG. CO.

REVISION HISTORY			
REV.	DESCRIPTION	EN	DATE
	REVISED, REDRAWN AND CONVERTED TO 3D	5601	4-28-13



ASSEMBLY #	FINISH	PUSH BUTTON	FINGER PULL	FLANGE COVER
2-682-PK-31	BLACK POWDER-BRIGHT CHROME	(04) CHROME	(30) BLACK POWDER	(30) BLACK POWDER
2-682-PK-30	BLACK POWDER	(30) BLACK POWDER	(30) BLACK POWDER	(30) BLACK POWDER
2-682-PK-04	BRIGHT CHROME	(04) CHROME	(04) CHROME	(10) BRIGHT POLISH
*	*	*	*	*

NOTE: FIFTY DIFFERENT KEY COMBINATIONS  
REQUIRED NUMBERED H700D THRU H749D  
EXAMPLE: ORDER P/N 2-682-700P(31) - FOR "H" SERIES

SUPERSEDES DRAWING 2-682-PK SHEET 1 OF 2 DATED 5-13-03.

THIS DOCUMENT IS IN ACCORDANCE WITH ASME Y14.5-2009		DATE	NAME
UNLESS OTHERWISE SPECIFIED TOLERANCES ARE AS FOLLOWS:	4/26/2013	DRY	EXTENDED PUSH BUTTON LOCK W/ SMALL ROUND FLANGE
ANGLES: $\frac{1}{16}$ $\frac{1}{32}$ $\frac{1}{64}$	SCALE	FLP	
2 PLACE DEC.: $\pm .03$ $\pm .76$	SCALE	1:1	
3 PLACE DEC.: $\pm .015$ $\pm .38$	SCALE	CHK BY	
ALL HOLES: $\pm .005$ $\pm .13$			

EBERHARD MANUFACTURING CO. DIVISION OF THE EASTERN COMPANY CLEVELAND, OHIO 44149-9712	
MATERIAL	PART NUMBER
----	2-682-PK

C:\Working\_Folder\Archive\Pro6\682e-682-PK SH1.idw