



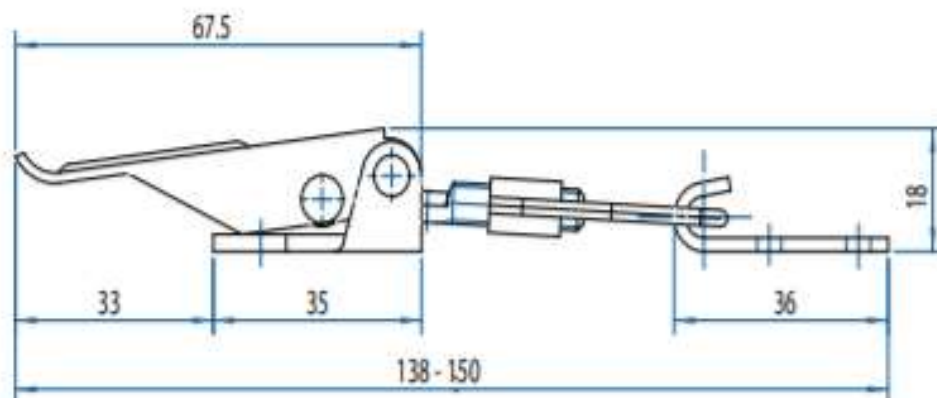
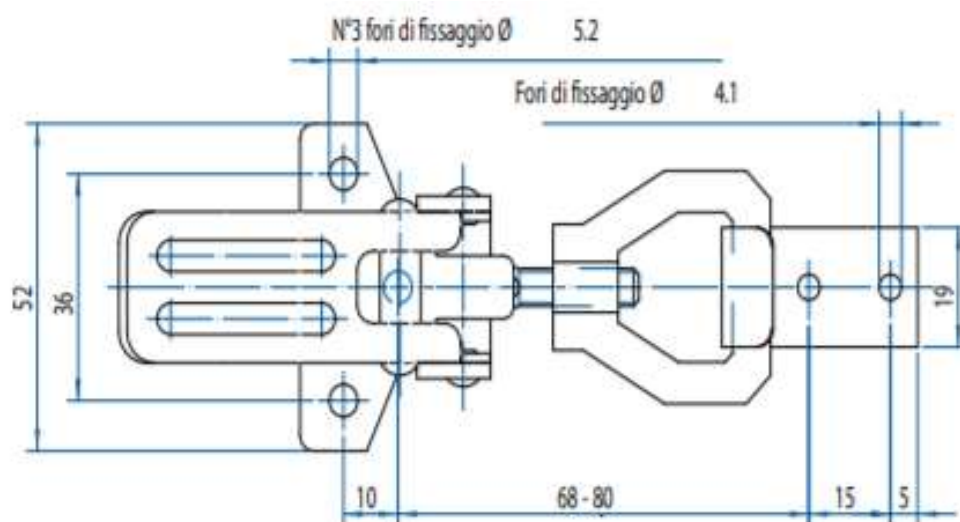
Adjustable Toggle Latch 2.05.00



Size: 130-150mm x 52mm

Material: stainless steel - 2.05.00.30/6+5 or Zinc plated - 2.05.00.04/6+5

MAX SAFE LOAD: 1100N



www.conceptlatch.com.au

sales@conceptlatch.com.au

03 9388 2551