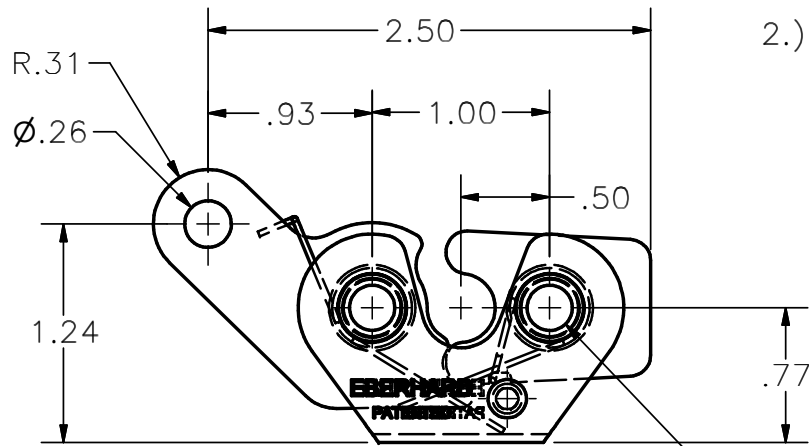


CONFIDENTIAL NOTICE: This drawing and the designs, specifications and engineering information disclosed herein are the property of Eberhard Manufacturing Company and are not to be disseminated or reproduced without express written consent. The drawing is loaned in confidence and then only for consideration of the matter disclosed herein. In accepting loan of this drawing, recipient agrees to keep it and the matter disclosed herein in confidence and not to use nor permit their use in any way detrimental to Eberhard Manufacturing Company, Division of the Eastern Company. 21944 Drake Road, Cleveland, Ohio 44149-9712 © 2010 EBERHARD MFG. CO.

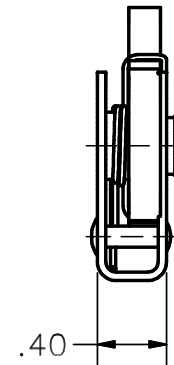


NOTES:

- 1.) COMPONENTS TO MOVE FREELY WITHOUT BINDING AFTER ASSEMBLY WHEN MOUNTED
- 2.) MAX TIGHTENING TORQUE: 8 FT/LBS



Ø.26 MOUNTING HOLES 2 PLACES



PATENTED
CUSTOMER PRINT
SHEET 1 OF 2

SUPERSEDES DRAWING 200 SH1 OF 2 DATED 7-20-93.

UNLESS OTHERWISE SPECIFIED TOLERANCES ARE AS FOLLOWS:	DATE	EBERHARD MANUFACTURING CO.		NAME COMPACT ROTARY LOCK	
	6/9/2010				
	DR. BY	DIVISION OF THE EASTERN COMPANY		MATERIAL	
	kgalloway				
SCALE	CLEVELAND, OHIO 44149-9712		PART NUMBER 200		
FULL					
ALL HOLES: ±.005	CHK. BY				

REVISION HISTORY			
REV	DESCRIPTION	EN	DATE
1	RELEASED IN 3-D	5457	6-11-10