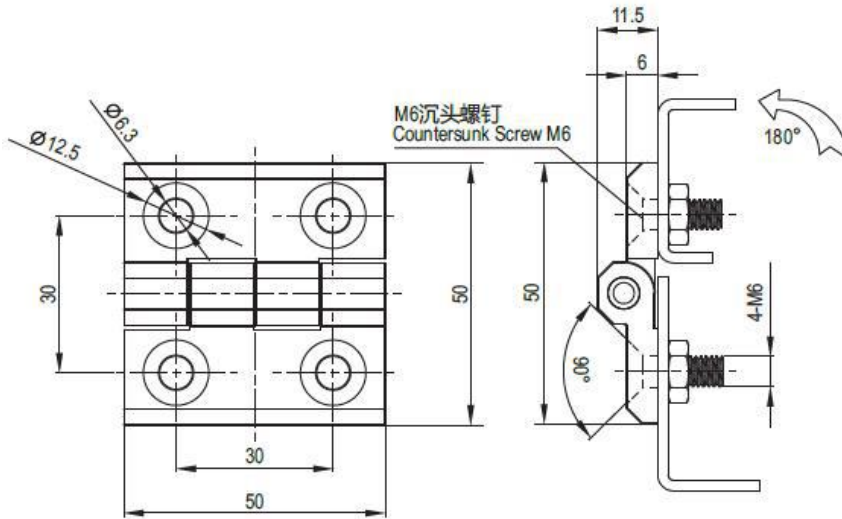




Concept
Latch Lock & Hinge

2101-500

M6 沉头螺钉固定 Countersunk Screw M6



材质可做全不锈钢
SUS material upon request

