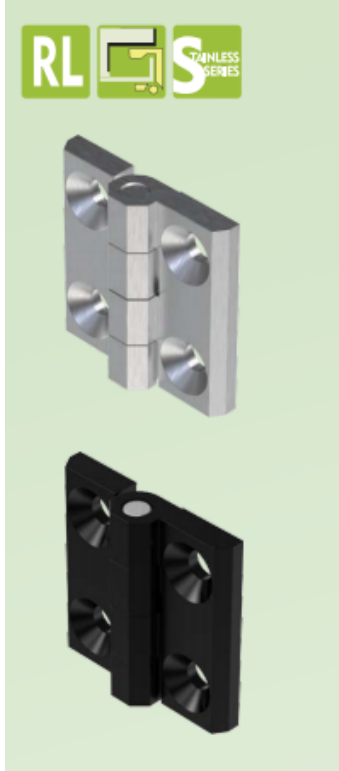


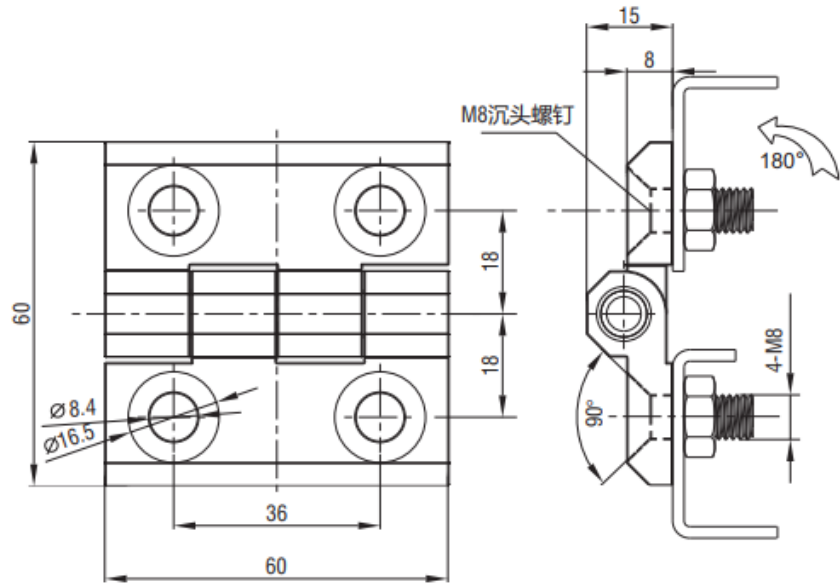


Concept  
Latch Lock & Hinge

## 2101-600



M8 沉头螺钉固定 Countersunk Screw M8



材质可做全不锈钢  
SUS material upon request