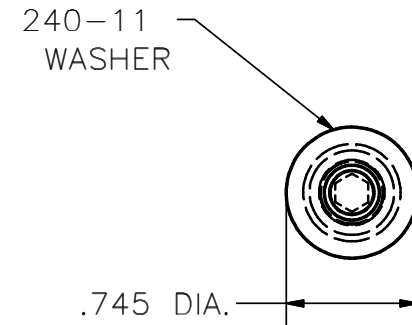
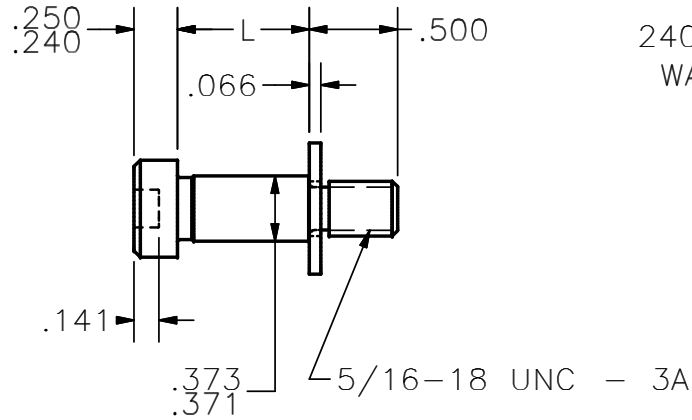
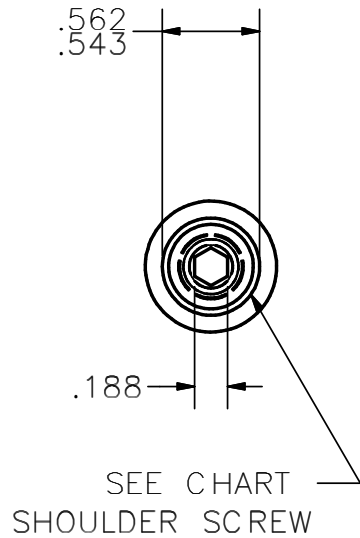


CONFIDENTIAL NOTICE: This drawing and the designs, specifications and engineering information disclosed hereon are the property of Eberhard Manufacturing Company and are not to be disseminated or reproduced without express written consent. The drawing is loaned in confidence and then only for consideration of the matter disclosed hereon. In accepting loan of this drawing, recipient agrees to keep it and the matter disclosed hereon in confidence and not to use nor permit their use in any way detrimental to Eberhard Manufacturing Company, Division of the Eastern Company. 21944 Drake Road, Cleveland, Ohio 44149-9712 © 2011 EBERHARD MFG. CO.

PART NO.	STRIKER NO.	L ±.005
240-52U	240-10	.750
3-240-52U	3-240-10	1.750



- NOTE:
- 1.) INSTALLATION: TORQUE TO 22 FT. LBS.
 - 2.) FINISH: (25) ZINC (.0002) & BAKE.
 - 3.) SHIPPED LOOSE.

- NOTE:
- TO ORDER 500 PCS. IN A BOX
ADD "BX" TO P/N
AS SHOWN: 240-B52U (25)
3-240-B52U (25)

SUPERSEDES DRAWING 240-52U DATED 1-22-97.

UNLESS OTHERWISE SPECIFIED TOLERANCES ARE AS FOLLOWS:	DATE 8/17/2011	EBERHARD MANUFACTURING CO. DIVISION OF THE EASTERN COMPANY CLEVELAND, OHIO 44149-9712	NAME STRIKER	
	DR. BY cstanish SCALE FULL CHK. BY		MATERIAL -----	PART NUMBER 240-52U CH

REVISION HISTORY			
REV	DESCRIPTION	EN	DATE
1	REVISED, REDRAWN AND CONVERTED TO 3D	5524	10/7/2011