



**Concept
Latch Lock & Hinge**

2407-01X Series Concealed Hinges

Part Number: 2407-011-01
Zinc Plated, Dimension 20.3

Part Number: 2407-011-304
304 Stainless steel, Dimension 20.3

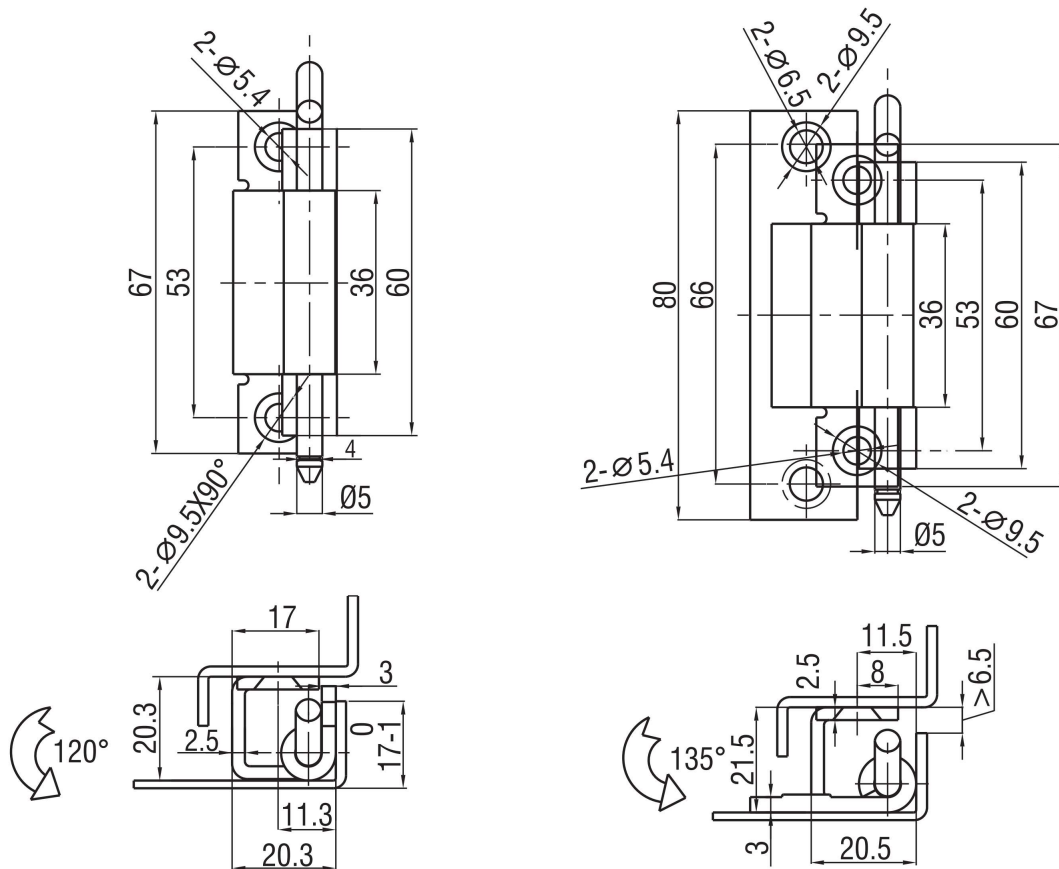
Part Number: 2407-012-01
Zinc plated, Dimension 21.5
coated w/ studs

Part Number: 2407-012-304
304 Stainless steel, Dimension 21.5



2407-011

2407-012



www.conceptlatch.com.au
sales@conceptlatch.com.au
03 9388 2551