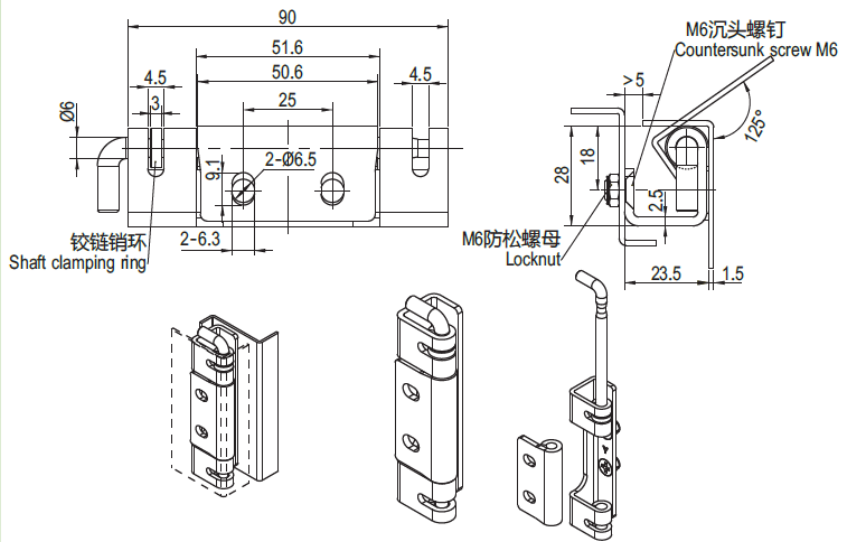


2408 Concealed Hinge

Retained Pin



镀锌钢或不锈钢, 铰链销环, 聚甲醛, 红色
M.S. zinc plated or stainless steel, shaft clamping ring: POM, red

不锈钢 304 SUS 304	镀锌钢 M. S zinc plated
2408-03-304	2408-03-01