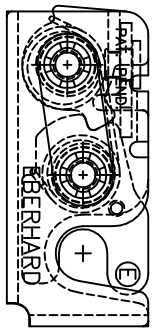
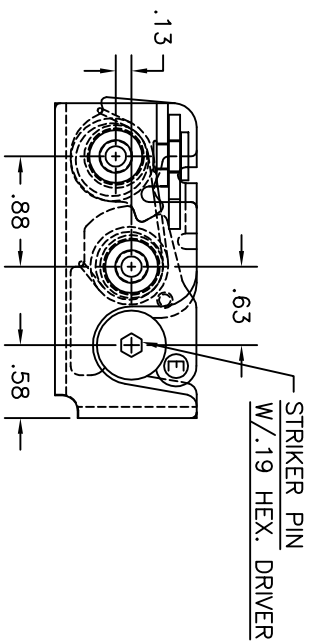
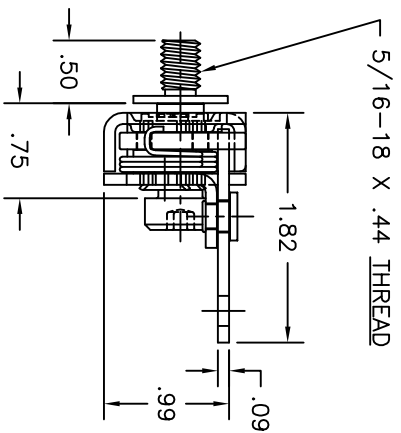
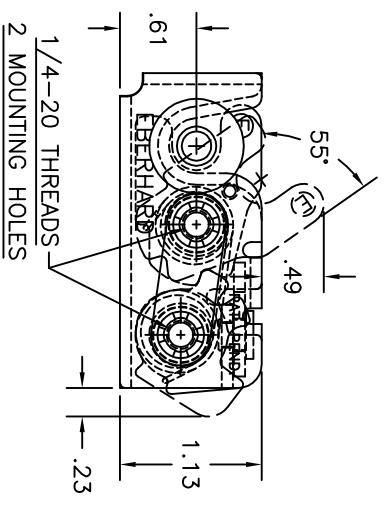
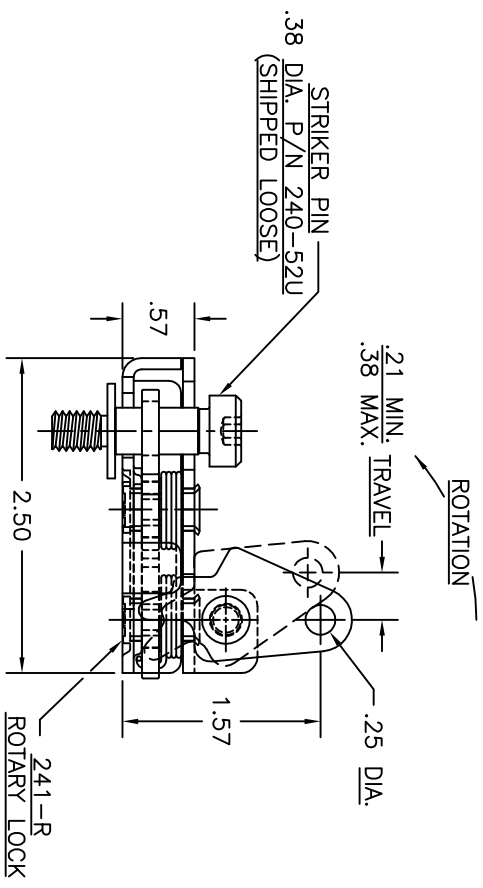


NO	CHANGE	ENG. NO.	DATE
	REISED AND REVISION	EN 4745	5-31-96
1	REISED VIEW	EN 4757	8-30-96



FINISH: (54) EVERLUBE INTERNAL COMPONENTS  
(B6) BEARING GREASE WITH EVERLUBE  
INTERNAL COMPONENTS.

**WARNING**  
THIS PRODUCT MUST NOT BE USED FOR  
PERSONAL RESTRAINT APPLICATIONS

MINI-ROTARY™ IS A TRADEMARK OF EBERHARD MFG. CO.,  
DIVISION OF THE EASTERN COMPANY.

NOTES:

- 1.) USE 1/4-20 GRADE 8 BOLTS FOR INSTALLATION. RECOMMENDED TORQUE FOR TIGHTENING: 14 FT./LBS.
- 2.) MAX LOAD RATING - 750 LBS

SUPERSEDES DRAWING 241-UR/L DATED 5-4-95.

PATENT PENDING  
CUSTOMER PRINT  
RIGHT HAND SHOWN  
LEFT HAND OPPOSITE

**EBERHARD MANUFACTURING CO.**  
DIVISION OF  
THE EASTERN COMPANY  
CLEVELAND, OHIO 44136-6897

UNLESS OTHERWISE SPECIFIED TOLERANCES ARE AS FOLLOWS:		DATE	NAME
ANGLES:	±2°	5-28-96	
2 PLACE DEC.:	±.03	TRF	
3 PLACE DEC.:	±.015	SCALE	
ALL HOLES:	±.005	FULL	
		CHEK'V	
MINI-ROTARY™ LOCK & STRIKER			
PART NUMBER			
241-UR/L			