



## 37 Draw Latch

Flexible · Over-center · Lever assist

- Flexible heavy-duty
- Detent feature
- Absorbs and reduces vibration

### Material and Finish

EPDM rubber and glass-filled nylon black with stainless steel pins

### Performance Details

Clamping force:

Heavy-duty: 350 N (79 lbf)

Small: 110 N (25 lbf)

Large: 190 N (43 lbf)

Operating temperature range:  
-40°C (-40°F) to 80°C (175°F)

Flammability rating: UL94-HB

### Installation Notes

Heavy-duty:

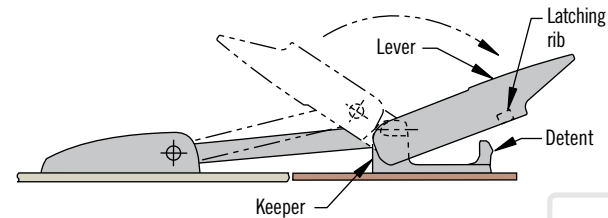
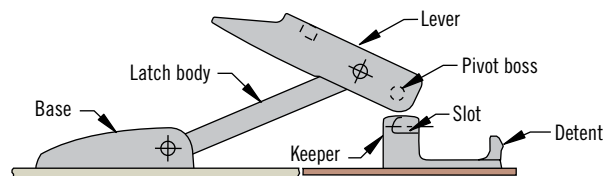
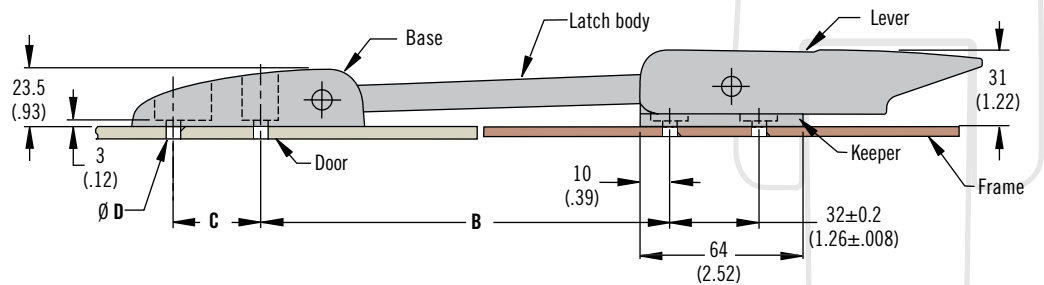
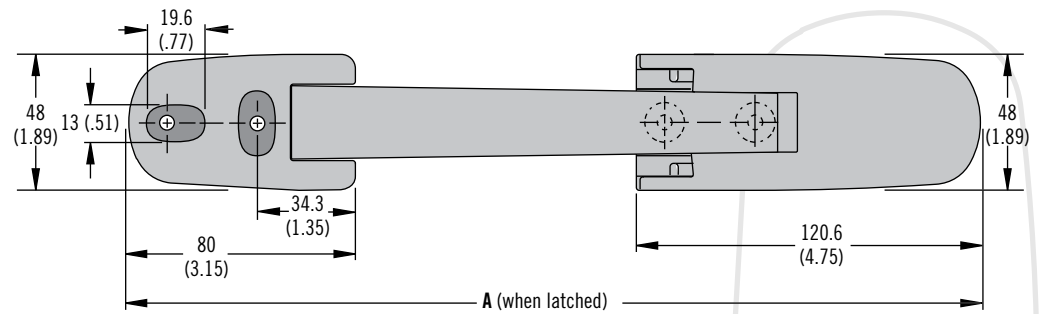
Install assembly with  $\varnothing 6$  (.250) rivets or M6 (1/4) screws (not supplied)

Small and Large:

Install assembly with  $\varnothing 5$  (3/16) rivets or M5 (No 10) screws (not supplied)

### Notes

5 (.20) Max. non co-planar offset



A  
ACTUAL SIZE

### Part Number

See table

Assembly complete with keeper

Part Number	Dimensions			
	A	B	C±0.2 (.008)	D±0.1 (.004)
37-30-294-60	254 (10)	97±3 (3.82±.12)	25.4 (1.00)	5.5 (.217)
37-30-297-60	379 (15)	222±6 (8.74±.24)		
Heavy-Duty				
37-40-295-60	300 (12)	144±4 (5.67±.16)	32 (1.25)	6.6 (.260)

Dimensions in millimeters (inch) unless otherwise stated



[www.southco.com/37A](http://www.southco.com/37A)

**southco**  
CONNECT · CREATE · INNOVATE



## 37 Draw Latch

Flexible · Pull type · Tab handle

- Flexible one piece molded latch

### Material and Finish

Small:

EPDM rubber and stainless steel

Medium:

EPDM rubber and steel, zinc plated

### Performance Details

Small:

Average clamping force:

20.9 N (4.7 lbf)

Medium:

Average clamping force:

26.2 N (5.9 lbf)

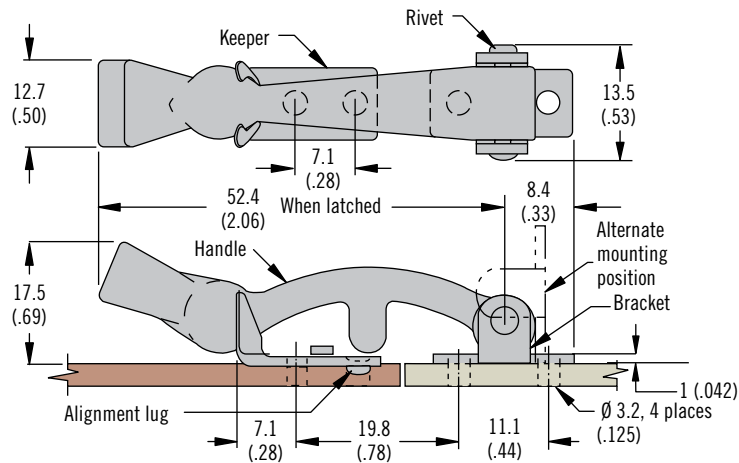
Operating temperature range:

-20°C (0°F) to 95°C (200°F)

### Installation Notes

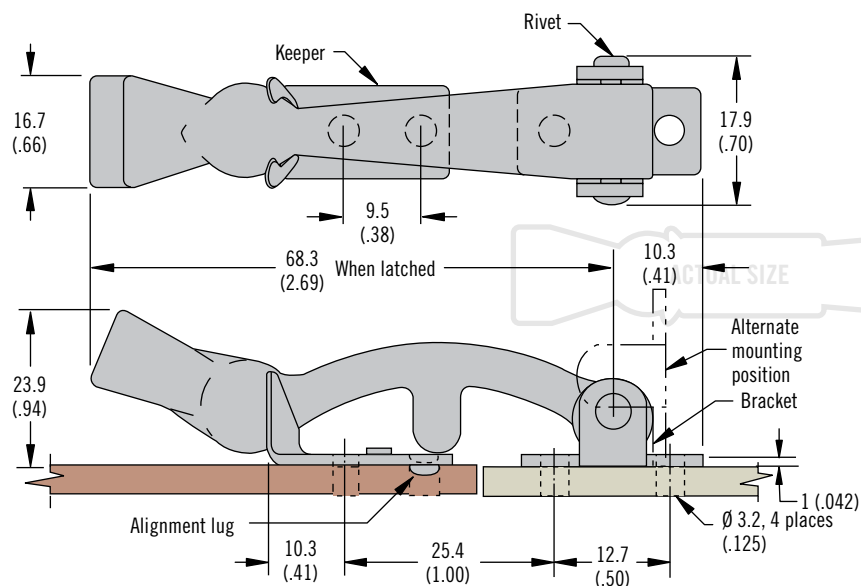
Install assembly with four  $\varnothing 3$  (.125) rivets or M3 (No. 4) screws (not supplied)

### Small



ACTUAL SIZE

### Medium



ACTUAL SIZE

### Part Number

See table

Assembly complete with keeper

Part Number		
Series	Steel	Stainless Steel
Small	~	37-10-051-20
Medium	37-10-061-10	~

Dimensions in millimeters (inch) unless otherwise stated



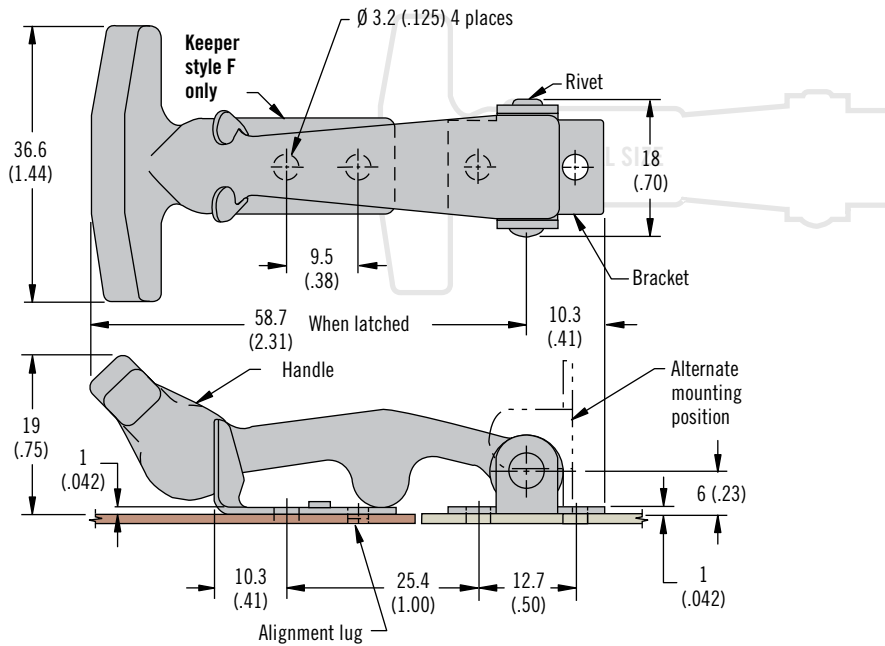
[www.southco.com/37](http://www.southco.com/37)

# 37 Draw Latch

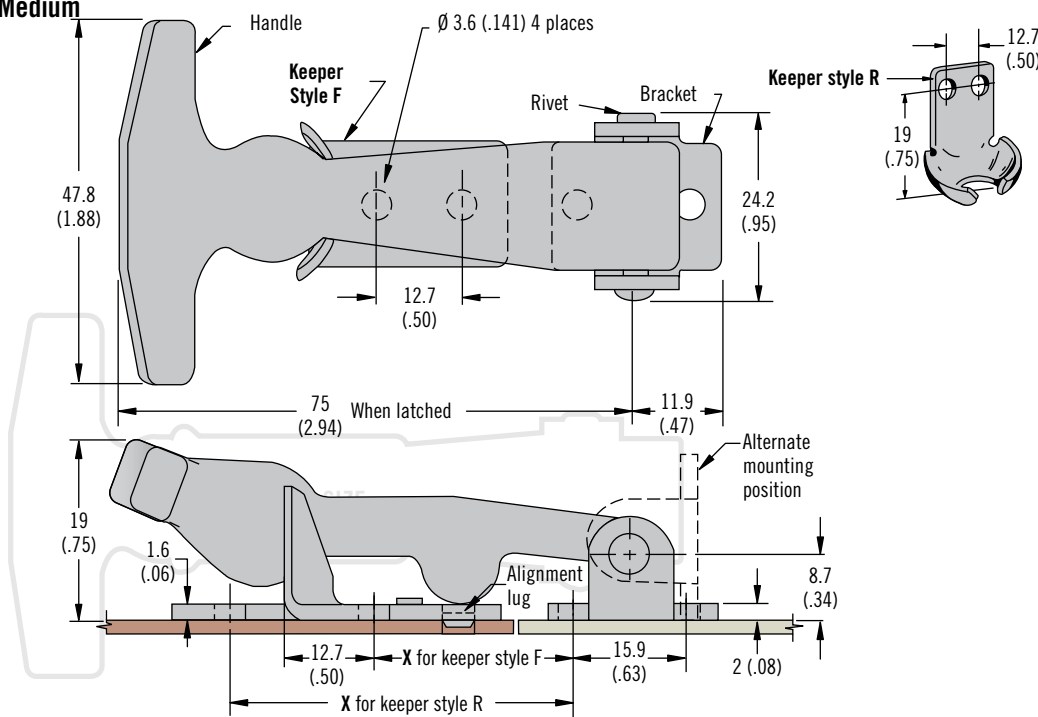
Flexible · Pull type · T-handle



## Small



## Medium



Small Size Part Number	
Steel	Stainless Steel
37-10-065-10	37-10-065-20

Medium Size Part Number				
Keeper Style	X	Latch Shipped Assembled		Latch Shipped Unassembled
		Steel	Stainless Steel	Steel
F	31.8 (1.25)	37-10-071-10	37-10-071-20	37-10-072-10
R	56.4 (2.22)	37-20-071-10	37-20-071-20	37-20-072-10

- Flexible one piece molded latch

### Material and Finish

EPDM rubber and stainless steel or steel, zinc plated

### Performance Details:

Average clamping force:

Small: 26 N (6 lbf)

Medium: 39 N (8.7 lbf)

Operating temperature range:

-20°C (0°F) to 95°C (200°F)

### Installation Notes

Small:

Install assembly with four Ø 3 (.125) rivets or M3 (No. 4) screws (not supplied)

Medium:

Install assembly with four Ø 3.6 (.141) flat head rivets or M3.5 (No. 5) screws (not supplied)



## 37 Draw Latch

Flexible · Pull type · T-handle

- Flexible one piece molded latch

### Material and Finish

EPDM rubber and stainless steel

### Performance Details

Average clamping force:

49 N (11 lbf)

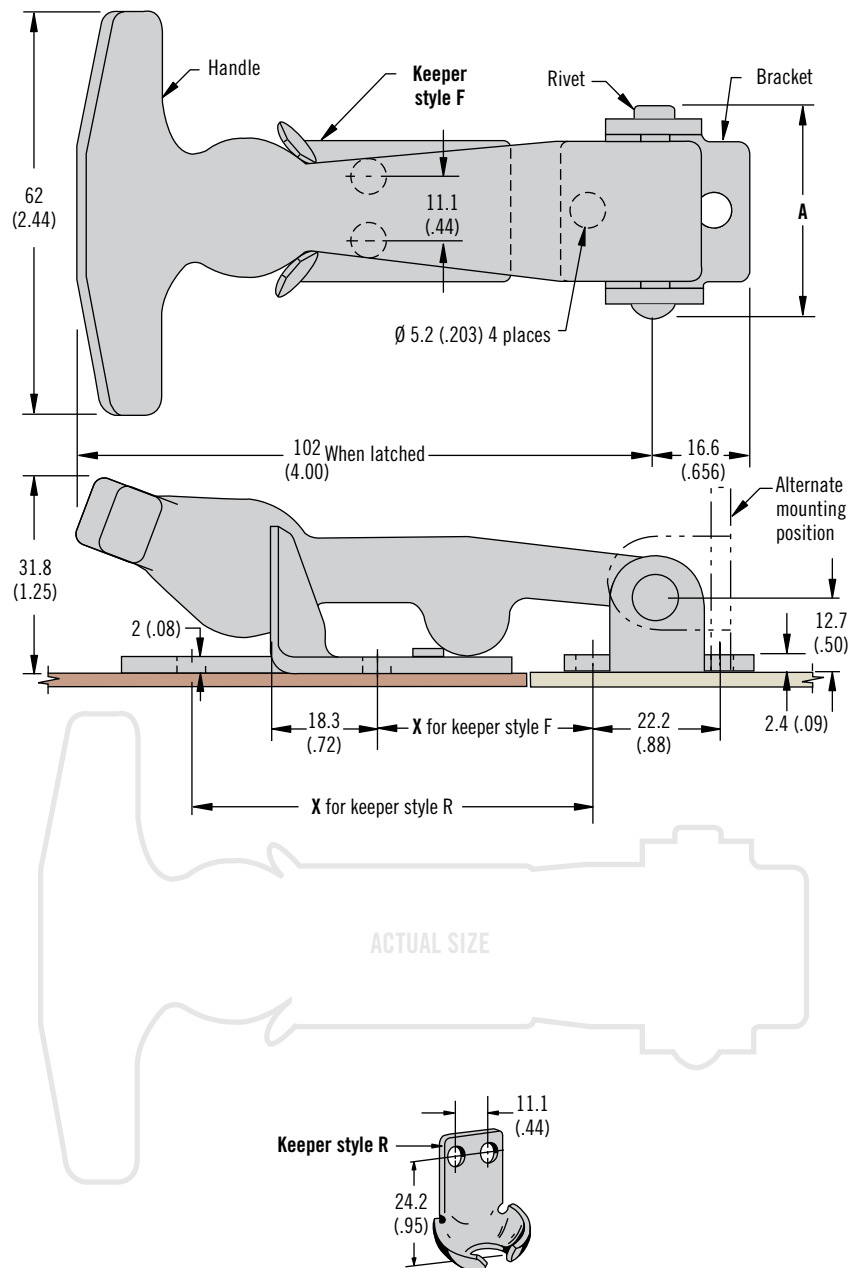
Operating temperature range:

-20°C (0°F) to 95°C (200°F)

### Installation Notes

Install assembly with four  $\varnothing 5(.188)$  rivets or M5 (No. 10) screws (not supplied)

Large



### Part Number

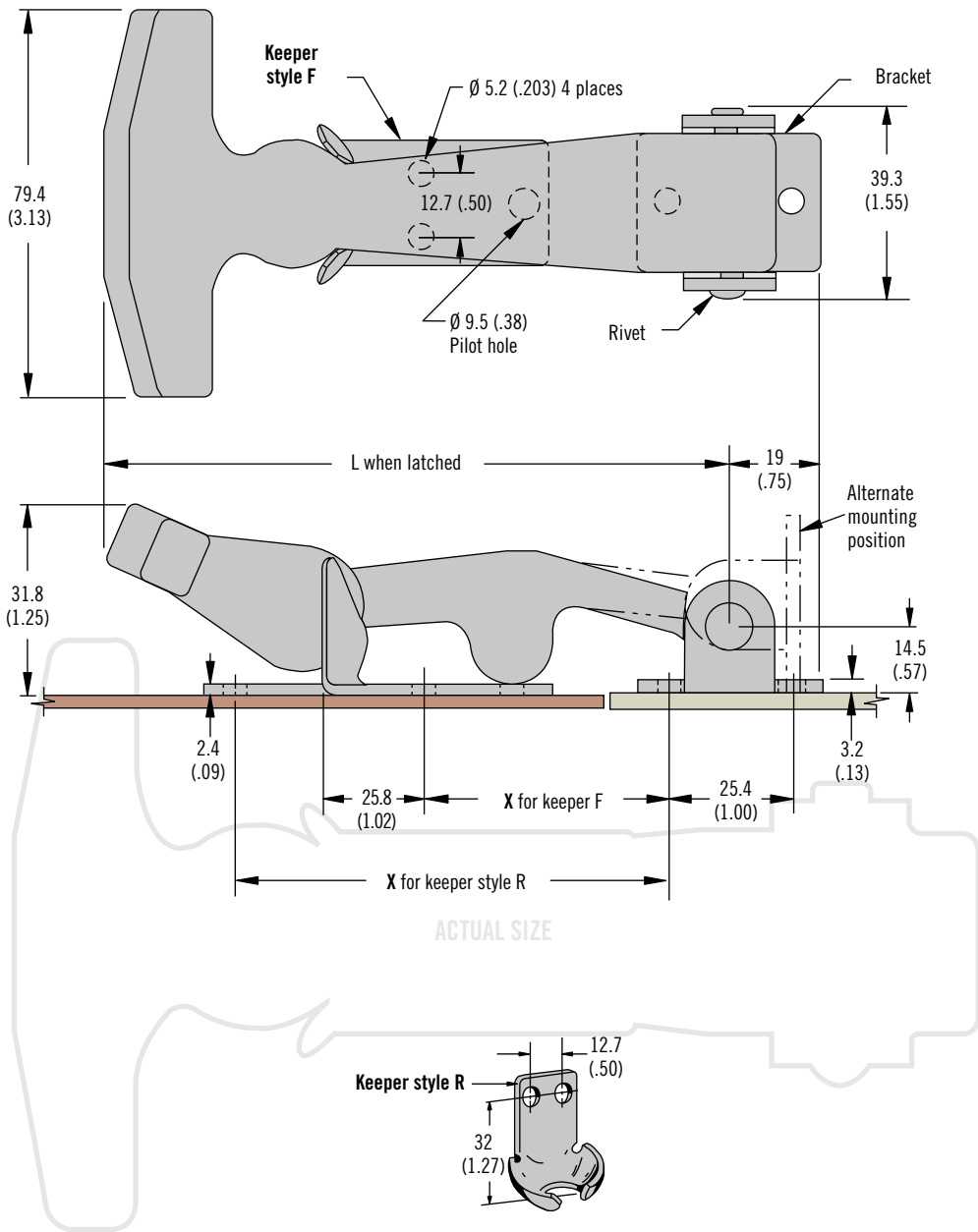
See table

Assembly complete with keeper

Part Number						
Keeper Style	X	Latch shipped assembled			Latch shipped unassembled	
		A	Steel	Stainless Steel	A	Steel
F	38.1 (1.50)	31.8 (1.25)	37-10-086-10	37-10-086-20	34 (1.34)	37-10-087-10
R	73 (2.88)		37-20-086-10	37-20-086-20		37-20-087-10

Dimensions in millimeters (inch) unless otherwise stated

**Extra Large**



- Flexible one piece molded latch

**Material and Finish**

EPDM rubber and stainless steel or steel, zinc plated

**Performance Details**

Average clamping force: 84 N (19 lbf)

Operating temperature range: -20°C (0°F) to 95°C (200°F)

**Installation Notes**

Install assembly with four Ø 5 (.188) rivets or M5 (No. 10) screws (not supplied)

Part Number						
Series	Keeper Style	L	X	Latch Shipped Assembled		Latch Shipped Unassembled
				Steel	Stainless Steel	Steel
100	F	130.2 (5.13)	50.8 (2.00)	37-10-101-10	37-10-101-20	37-10-102-10
	R		90.5 (3.56)	37-20-101-10	37-20-101-20	37-20-102-10
130	F	247.7 (9.75)	165.1 (6.50)	37-10-131-10	37-10-131-20	~
	R		204.8 (8.06)	37-20-131-10	37-20-131-20	~

**Part Number**

See table

Assembly complete with keeper