



MODEL 38EL

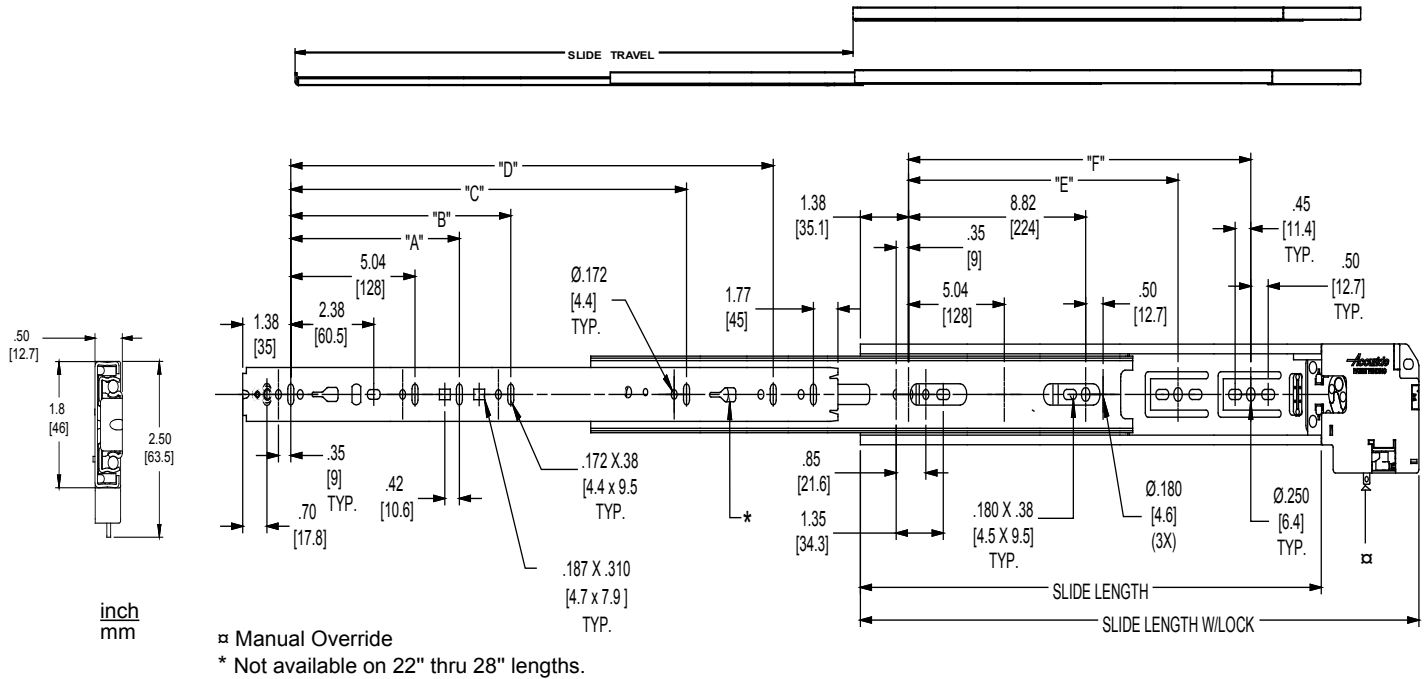
Electronic Lock Slide
100-lb. load rating
Integrated locking mechanism



APPLICATIONS: Provides an easy-to-install method to secure and control access to drawers. **This product is covered by U.S. (8,328,299), and various patents pending.**

38EL QUICK REFERENCE

Side Space: .5" + 0.031"x 2
Lengths: 14"–28"
Height: 1.80"
Load: 100 lbs. •



- Finish:** Clear electroplate(C)
- Lengths:** 14"–28" [350 mm–700 mm]
Note: cabinet depth must include an additional 3" to allow room for the locking mechanism and wiring at the back of the slide.
- Load Rating:** Up to 100 lbs. [45.5 kg.] per pair*
- Travel:** Full extension
- Disconnect:** Handed lever disconnect
- Height:** 1.80" [45.7mm]
- Height w/Lock:** 2.50" [63.5mm]
- Side Space:** .50" +0.031/-0.0 [12.7mm +0.8/0.0]
- Mounting Hardware:** #8 pan head screw
- Features:** Electronic locking mechanism with manual override. Lock withstands up to 150 pounds of force
- Cables:** 12" cable with tinned ends
- Options:** Lock/Unlock (opened manually)
Kick-out (propelled open about 2" when unlocked)

Part Number	Slide Length	Length W/Lock	Travel	"A"	"B"	"C"	"D"	"E"	"F"
C38EL-XX14P	13.78 [350]	16.58 [421]	14.00 [356]						
C38EL-XX16P	15.75 [400]	18.55 [471]	16.00 [406]						12.60 [320]
C38EL-XX18P	17.72 [450]	20.517 [521]	18.00 [457]			12.60 [320]			13.86 [352]
C38EL-XX20P	19.68 [500]	22.48 [571]	20.00 [508]			12.60 [320]			16.38 [416]
C38EL-XX22P	21.65 [550]	24.45 [621]	22.00 [559]			12.60 [320]	16.38 [416]	13.86 [352]	17.64 [448]
C38EL-XX24P	23.62 [600]	26.42 [671]	24.00 [610]	8.82 [224]		16.38 [416]		13.86 [352]	18.90 [480]
C38EL-XX26P	25.59 [650]	28.39 [721]	26.00 [660]	8.82 [224]		16.38 [416]	21.42 [544]	13.86 [352]	21.42 [544]
C38EL-XX28P	27.56 [700]	30.36 [771]	28.00 [711]	8.82 [224]	11.34 [288]	16.38 [416]	21.42 [544]	13.86 [352]	21.42 [544]

• Load rating based on 18" slides mounted in a 16" wide drawer cycled 50,000 times.

WARNING



Before installing the drawer, you must have access to the manual override lever or the activation device must be connected and working properly.

Cabinet Preparation

Important: Be sure the cabinet depth allows for an additional 3" beyond the length of the slide to provide room for the locking mechanism and wiring (figure 1). See the chart below for minimum cabinet depth.

Length	Min Cabinet Depth
14"	17"
16"	19"
18"	21"
20"	23"
22"	25"
24"	27"
26"	29"

Inset Drawers

For inset drawers, be sure to provide sufficient cabinet depth to allow slide setback. (figure 2)

IMPORTANT: Slides will not function properly if side space is less than .50" [12.7 mm]. For optimum performance, construct drawers 1-1/16" [27.0 mm] smaller than the opening of the cabinet.

Slide Installation

Install Cabinet Member

1. Separate the slide members by first actuating the manual override located on the locking mechanism.
2. Then, lift the disconnect lever to release the inner (drawer) member.
3. Install the cabinet (outer) member. For applications with an overlay drawer front, refer to figure 1. For applications with an inset drawer front, set the slide back the thickness of the drawer front plus 1/8" [3.2 mm]. See figure 3 for correct fastener locations.

Install Drawer Member

1. See figure 2 for drawer member setback.
2. Install the drawer member with a screw through the cam adjuster and a screw through a hole or slot at the rear. See figure 4.

Drawer Insert and Adjustment

WARNING



Before installing the drawer, you must have access to the manual override lever or the activation device must be connected and working properly.

1. Make sure the ball bearing retainers in the cabinet are fully forward. Install drawer into cabinet and close the drawer.
2. To adjust the drawer front position, open the drawer and rotate the cam with a Phillips or Pozi screw driver to adjust the vertical position of the drawer. Total vertical adjustment is 1/8" [3.2 mm]; +/- 1/16" [1.6 mm] from center up and down.
3. Install additional set screws to secure.

Figure 1 Conventional Mounting - Cabinet

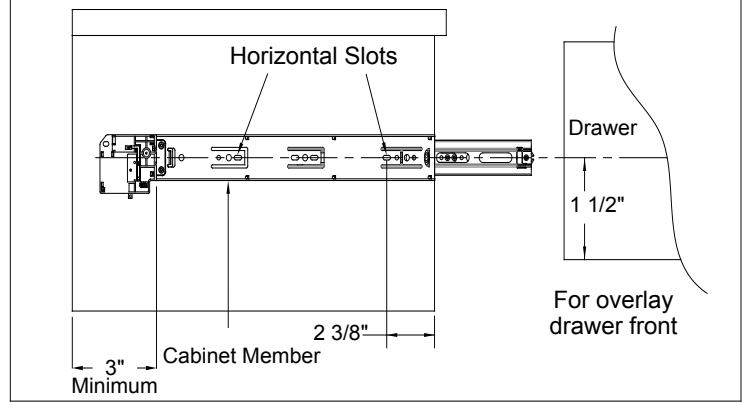


Figure 2 Inset Drawer Fronts

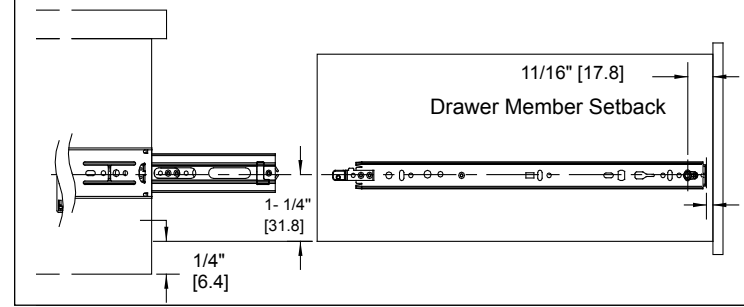


Figure 3 Cabinet Member Fastener Locations

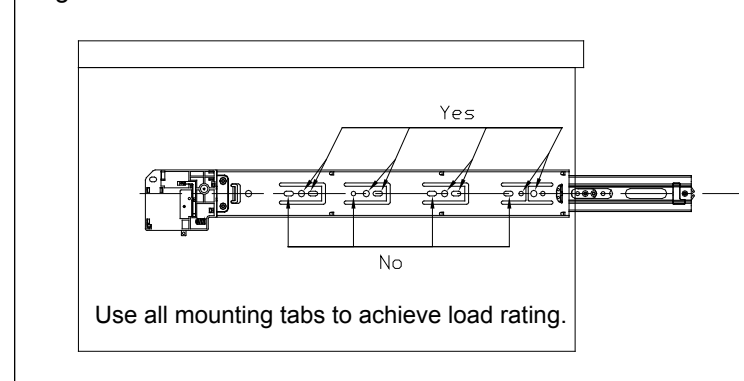
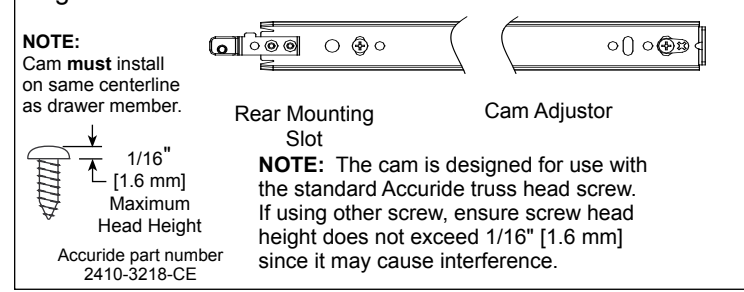
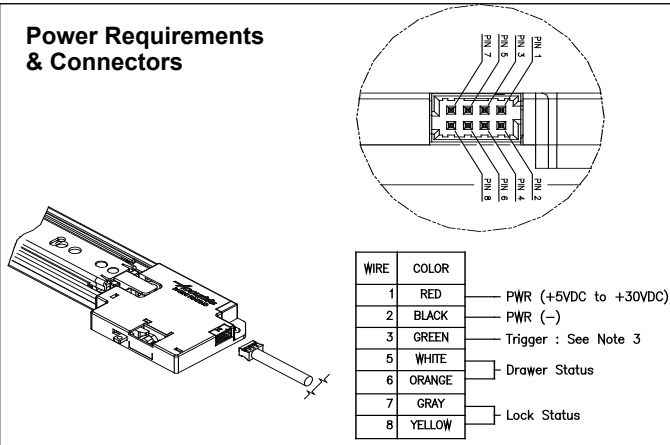


Figure 4

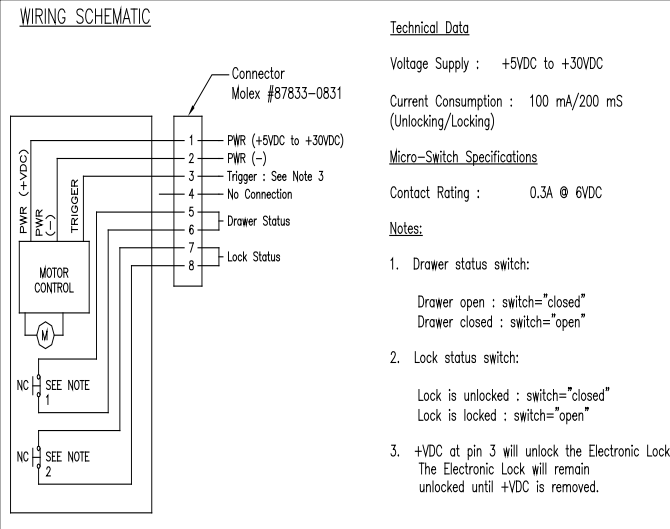


Power Requirements & Connectors



WIRE	COLOR	
1	RED	PWR (+5VDC to +30VDC)
2	BLACK	PWR (-)
3	GREEN	Trigger : See Note 3
5	WHITE	Drawer Status
6	ORANGE	
7	GRAY	Lock Status
8	YELLOW	

WIRING SCHEMATIC



Technical Data

Voltage Supply : +5VDC to +30VDC

Current Consumption : 100 mA/200 mS (Unlocking/Locking)

Micro-Switch Specifications

Contact Rating : 0.3A @ 6VDC

Notes:

- Drawer status switch:
Drawer open : switch="closed"
Drawer closed : switch="open"
- Lock status switch:
Lock is unlocked : switch="closed"
Lock is locked : switch="open"
- +VDC at pin 3 will unlock the Electronic Lock. The Electronic Lock will remain unlocked until +VDC is removed.

Packaging Options

Distributor Bulk Pack (P): Includes one box with four boxes packed inside. Each sub box includes one pair of slides (one locking and one non-locking companion slide), and a 12" cable with 8-pin Molex connector with tinned ends.

Optional Accessories

P/N CBLEL-60 = 6' cable with tinned ends

Specifications

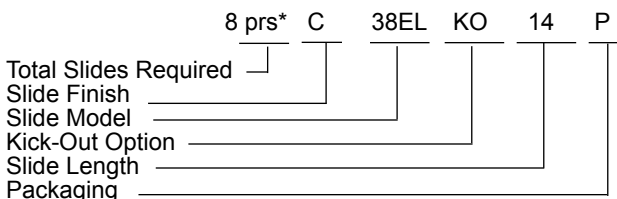
Slide members and ball retainers: Cold rolled steel
Ball bearings: Carburized steel/acetel polymer
Lock: Zinc and black polymer.
RoHS compliant.

NOTE: Specifications, materials, prices, terms, and delivery are subject to change without notice.

Slide Ordering Instructions

C 38EL KO XXP
C 38EL-XXP

Complete your slide order for 38EL by specifying the following:



* Full box quantities

For the most current technical information please visit www.accuride.com

Accuride's Electronic Lock is warranted against defects in workmanship or materials under normal use for one (1) year after date of purchase from an authorized Accuride distributor. This limited warrant only covers the lock and its internal components. If the lock is attached to an Accuride slide, the slide is covered under Accuride's Limited Lifetime Warranty. If attached to an activation device, the activation device is covered under a separate warranty from the manufacturer.

Accuride will repair or replace (as determined by Accuride or its authorized representative at its sole discretion) defective products at no charge to the original purchaser within the warranty period so long as the original purchaser returns the product, shipping prepaid, to Accuride or an authorized Accuride distributor. This represents Accuride's sole warranty obligation to original purchasers of its product.

This warranty is non-transferable. To the maximum extent permitted by applicable law, Accuride disclaims any other warranties, express or implied, including warranties of fitness for a particular purpose and warranties of merchantability. Accuride will not be liable for any damages whatsoever arising out of the use or inability to use the Electronic Lock, even if Accuride has been advised of the possibility of such damages. Accuride shall not be responsible for incidental or consequential damages; because some states or jurisdictions do not allow the exclusion or limitation of liability for consequential or incidental damages, the foregoing limitation may not apply. Any repair or modification of the Electronic Lock not performed or specifically authorized by Accuride will void the warranty provided above.

Accuride will not be responsible for damage to the Electronic Lock caused by misuse, abuse, failure to properly package the product for return to Accuride, or for damage caused by carriers during shipment either to or from Accuride or an authorized Accuride distributor.

This warranty does not extend to any damage to products used in conjunction with the Electronic Lock. Any repairs necessitated by misuse, abuse, or shipping damage to the Electronic Lock or repairs of defective Electronic Lock returned after the warranty period has expired will be performed at the current rates.

For repair or replacements of an Electronic Lock, please send the damaged unit to the following address, only after obtaining authorization from Accuride.

Accuride International Inc.
Attn: Technical Services
Accuride/AF Romero
Calexico, CA 92231
www.accuride.com



ACCURIDE INTERNATIONAL INC.

12311 Shoemaker Avenue
Santa Fe Springs, CA 90670

TEL (562) 903-0200
FAX (562) 903-0208
www.accuride.com

Manufacturing, Engineering, and Sales

United States • Germany • Japan • Mexico • United Kingdom • China