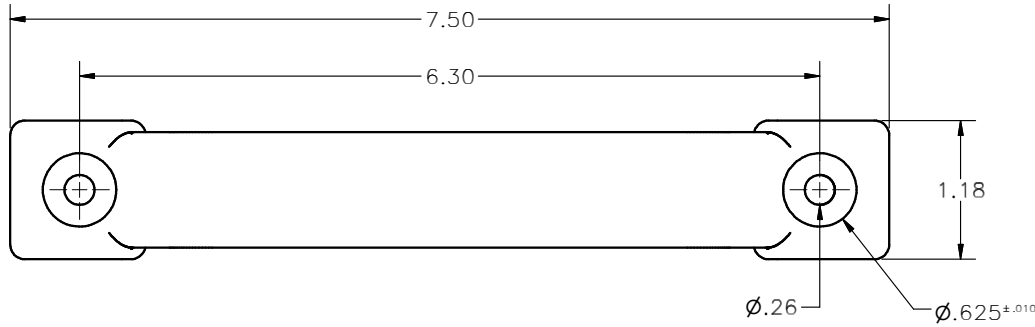
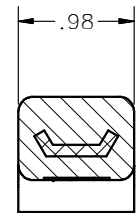
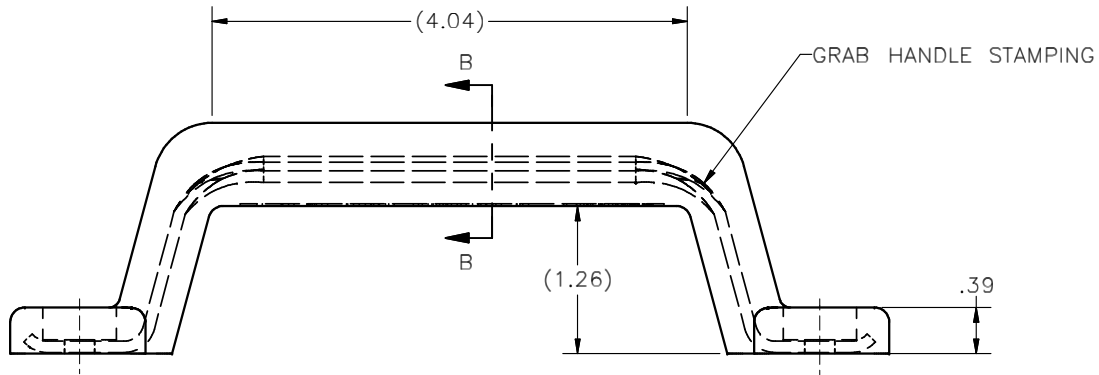


CONFIDENTIAL NOTICE: This drawing and the designs, specifications and engineering information disclosed herein are the property of Eberhard Manufacturing Company and are not to be disseminated or reproduced without express written consent. The drawing is loaned in confidence and then only for consideration of the matter disclosed herein. In accepting loan of this drawing, recipient agrees to keep it and the matter disclosed herein in confidence and not to use nor permit their use in any way detrimental to Eberhard Manufacturing Company, Division of the Eastern Company, 21944 Drake Road, Cleveland, Ohio 44149-9712. © 2009 EBERHARD MFG. CO.

REVISION HISTORY			
REV	DESCRIPTION	EN	DATE
	RELEASED	5431	12-4-09
1	ADDED FINISH NOTE	5585	01-04-13



- NOTES:
1. INTEGRAL POLYURATHANE FOAM MOLDED AROUND STEEL CORE
 2. "UV" STABILIZED
 - ① 3. FINISHES:
(MB) MATTE BLACK
(SY) SAFETY YELLOW



SECTION B-B
SCALE 1 : 1



CUSTOMER PRINT
SHEET 1 OF 2

EBERHARD MANUFACTURING CO.
DIVISION OF
THE EASTERN COMPANY
CLEVELAND, OHIO 44149-9712

UNLESS OTHERWISE SPECIFIED TOLERANCES ARE AS FOLLOWS: ANGLES: ±2' 2 PLACE DEC.: ±.03 3 PLACE DEC.: ±.015 ALL HOLES: ±.005	DATE 12/3/2009	NAME GRAB HANDLE	
	DR. BY GCS	MATERIAL SEE NOTE	
	SCALE FULL	PART NUMBER 4302	
	CHK. BY		