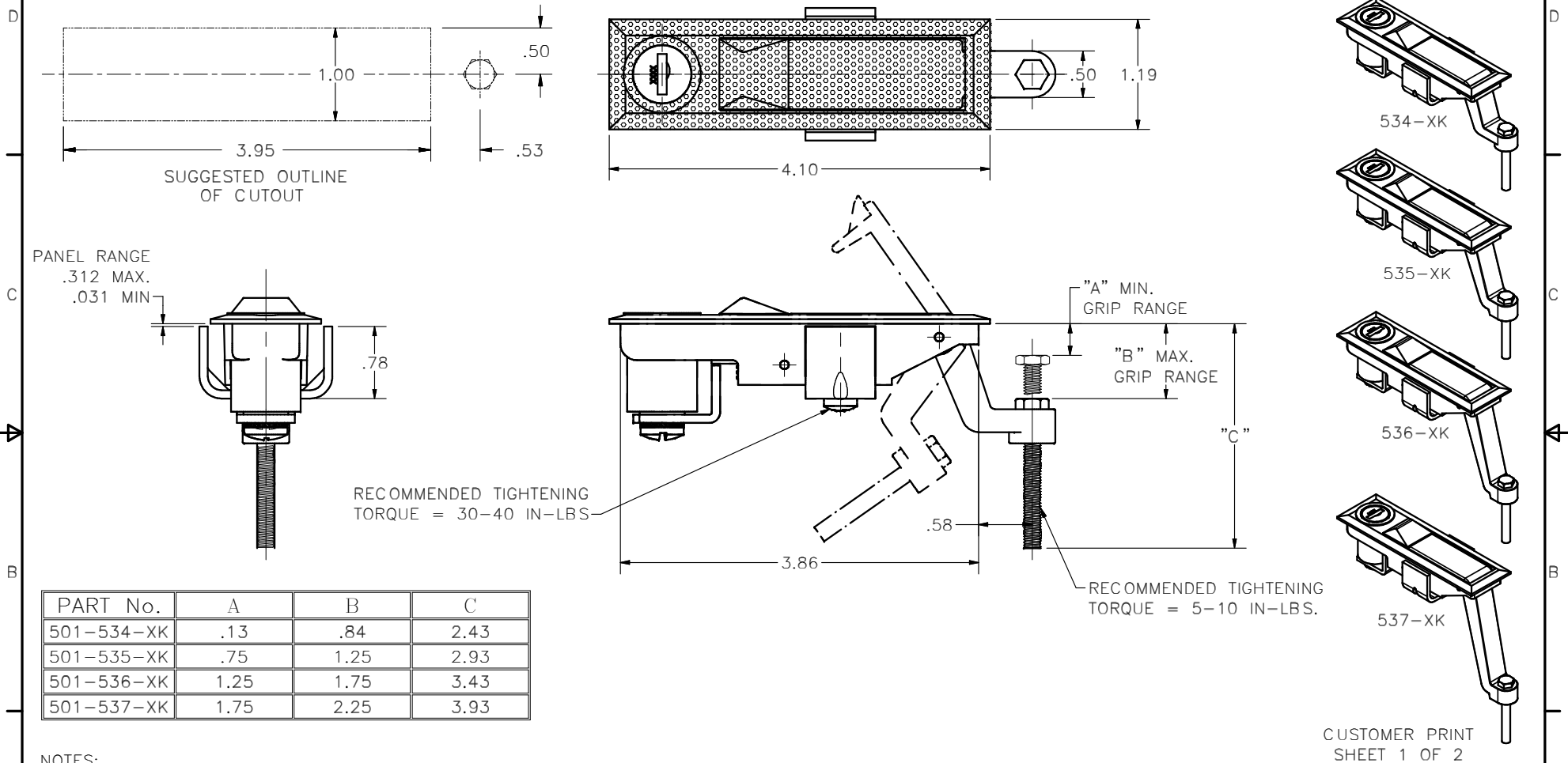


CONFIDENTIAL NOTICE: This drawing and the designs, specifications and engineering information disclosed herein are the property of Eberhard Manufacturing Company and are not to be disseminated or reproduced without express written consent. The drawing is loaned in confidence and then only for consideration of the matter disclosed herein. In accepting loan of this drawing, recipient agrees to keep it and the matter disclosed herein in confidence and not to use nor permit their use in any way detrimental to Eberhard Manufacturing Company, Division of the Eastern Company, 21944 Drake Road, Cleveland, Ohio 44149-9712 © 2013 EBERHARD MFG. CO.

REVISION HISTORY			
REV	DESCRIPTION	EN	DATE
1	REVISED, REDRAWN AND CONVERTED TO 3D	5593	3-1-13



PART No.	A	B	C
501-534-XK	.13	.84	2.43
501-535-XK	.75	1.25	2.93
501-536-XK	1.25	1.75	3.43
501-537-XK	1.75	2.25	3.93

- NOTES:
- SCREWS, BRACKET AND ONE KEY SHIPPED UN-ASSEMBLED IN SECURE POLY BAG.
 - FINISHES:
 - CHROME, FC (05)
 - BLACK POWDER COAT, FC (30)
 - KEY No.'S 501-510 & 751 TO BE ORDERED AS PART OF THE PART NUMBER AS SHOWN. 501-534-XK THRU 501-537-XK.

SUPSEDES DRAWING 534-XK CHART SHEET 1 OF 2 DATED 6-13-02.

THIS DOCUMENT IS IN ACCORDANCE WITH ASME Y14.15-2009	
LINEAR MEASURE: INCH	DATE: 3/1/2013
UNLESS OTHERWISE SPECIFIED TOLERANCES ARE AS FOLLOWS:	DR BY: FLP
IN MM	SCALE: FULL
ANGLES: ± 2° ± 2'	CHK BY:
2 PLACE DEC.: ± .03 ± .76	
3 PLACE DEC.: ± .015 ± .38	
ALL HOLES: ± .005 ± .13	

EBERHARD MANUFACTURING CO. DIVISION OF THE EASTERN COMPANY CLEVELAND, OHIO 44149-9712		
NAME: ADJUSTABLE TRIGGER LATCH - KEY LOCKING		
MATERIAL: -----	PART NUMBER: 534-XK	CHART: