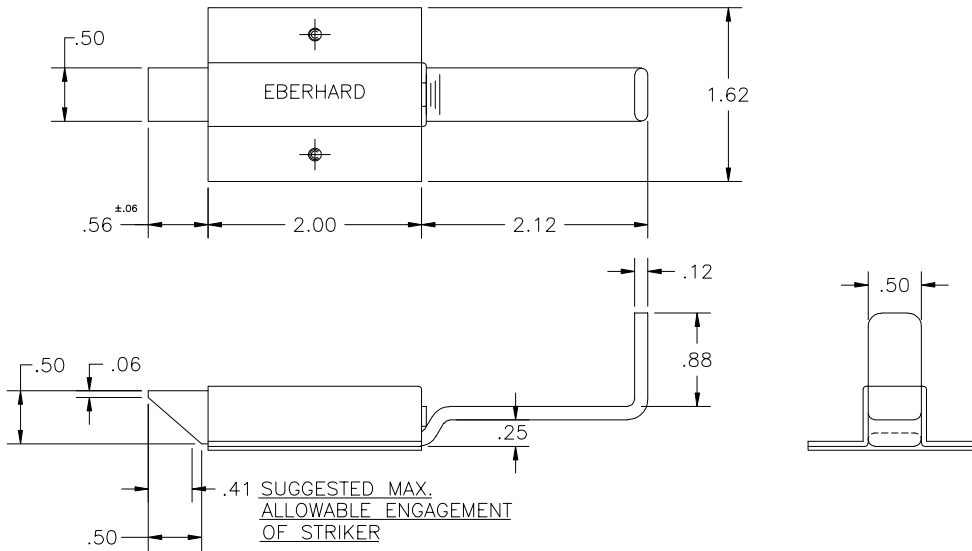


5597SH1



(SPRING RATE: 6.73 LBS./IN.)

CUSTOMER PRINT  
SHEET 1 OF 2

NO.	CHANGE	ENG. NO.	DATE	UNLESS OTHERWISE SPECIFIED TOLERANCES ARE AS FOLLOWS:	DATE 2-13-97	DR. BY JAD	SCALE FULL	CHK. BY	NAME FINGER PULL LATCH ASSEMBLY	MATERIAL	PART NUMBER
	RELEASED	EN 479	2-14-97	ANGLES: ±2° 2 PLACE DEC.: ±0.03 3 PLACE DEC.: ±0.015 ALL HOLES: ±0.005					EBERHARD MANUFACTURING CO. DIVISION OF THE EASTERN COMPANY CLEVELAND, OHIO 44136-6697	-----	5597