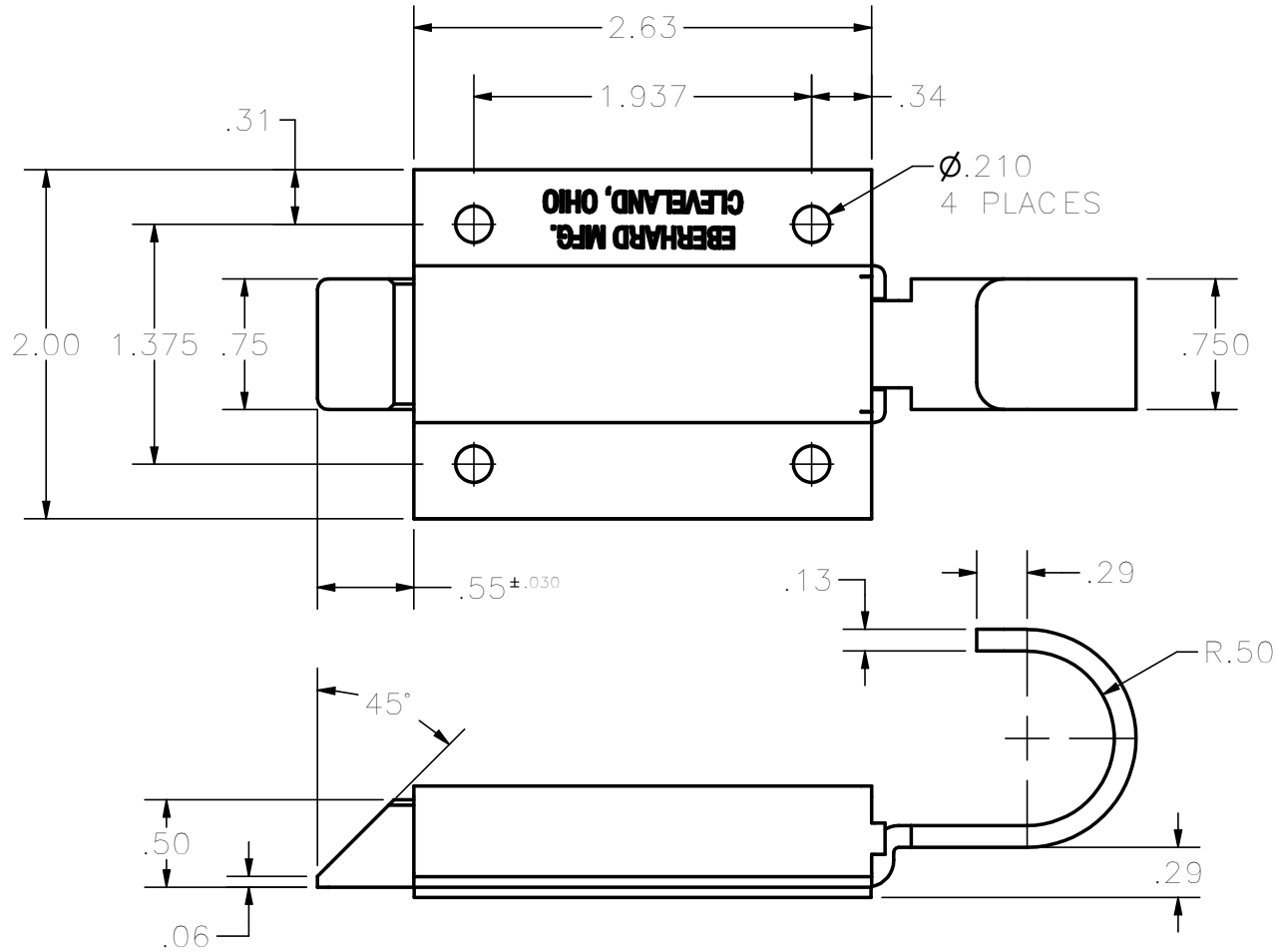


CONFIDENTIAL NOTICE: This drawing and the designs, specifications and engineering information disclosed herein are the property of Eberhard Manufacturing Company and are not to be disseminated or reproduced without express written consent. The drawing is loaned in confidence and then only for consideration of the matter disclosed herein. In accepting loan of this drawing, recipient agrees to keep it and the matter disclosed herein in confidence and not to use nor permit their use in any way detrimental to Eberhard Manufacturing Company, Division of the Eastern Company, 21944 Drake Road, Cleveland, Ohio 44149-9712 © 2011 EBERHARD MFG. CO.



CUSTOMER PRINT
SHEET 1 OF 2

SUPERSEDES DRAWING 565697 DATED 3-28-96.

NOTE: SPRING RATE: 25.98 IN/LBS

| | |
|---|-------------------|
| UNLESS OTHERWISE SPECIFIED TOLERANCES ARE AS FOLLOWS: | DATE 5/12/2011 |
| ANGLES: ± 2° | DR. BY FLP |
| 2 PLACE DEC.: ± .03 | SCALE FULL |
| 3 PLACE DEC.: ± .015 | CHK. BY |
| ALL HOLES: ± .005 | |

EBERHARD MANUFACTURING CO. CODE BOLT ASSEMBLY

DIVISION OF
THE EASTERN COMPANY
CLEVELAND, OHIO 44149-9712

| | |
|--------------------|-------------|
| NAME | |
| CODE BOLT ASSEMBLY | |
| MATERIAL | PART NUMBER |
| | 565697 |

| REVISION HISTORY | | | |
|------------------|--------------------------------------|------|-----------|
| REV | DESCRIPTION | EN | DATE |
| | REVISED, REDRAWN AND CONVERTED TO 3D | 5504 | 5/20/2011 |

C:\Working_Folder\Archive\Pro\5156569X\565697 SH1.idw