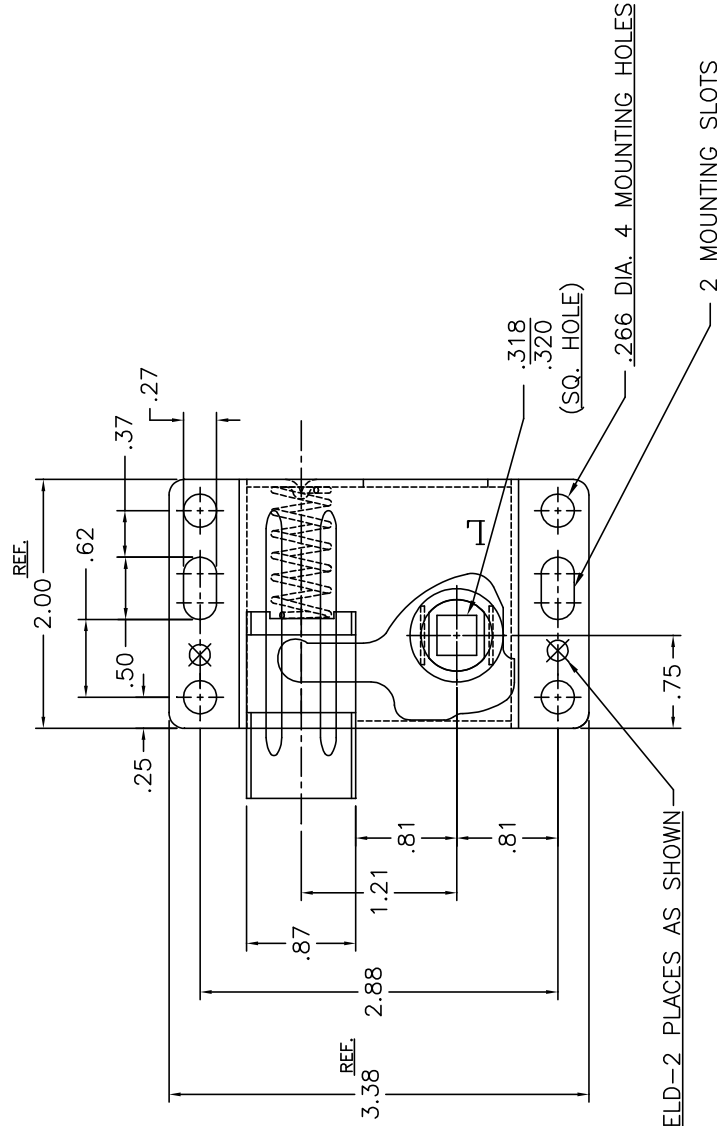
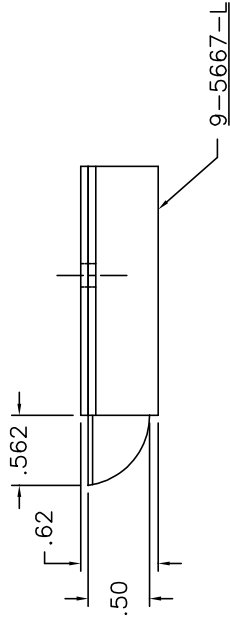


MATERIAL: COVERCASE AND BACKPLATE - C.R. STEEL, ZINC PLATED  
 SPRING - 302 STAINLESS STEEL  
 SLIDE BOLT - DOUBLE SINTERED POWDER METAL  
 TUMBLER - H.R.P.&O. STEEL, ZINC PLATED  
 TUMBLER HUB - POWDER METAL, ZINC PLATED



LEFT HAND SHOWN  
 RIGHT HAND OPPOSITE  
 CUSTOMER PRINT  
 SHEET 1 OF 2



EBERHARD HARDWARE MFG. LTD.  
 (DIVISION OF THE EASTERN CO.)  
 P.O. BOX 367, 67 GOSHEN STREET  
 TILLSONBURG, ONTARIO N4G 4H8

TOLERANCES (UNLESS OTHERWISE SPECIFIED)	DR. BY L.F.	SCALE FULL	NAME
2-PLCS ±.02 3-PLCS ±.010 ANGLES ±1° HOLES ±.005	DATE 10-30-97	APP'D. BY	COMPARTMENT LATCH
SUPERSEDES DRAWING 5667-R/L DATED 5-6-75.			PART NO. 5667 -L/R

NO	REVISION	C.N. NO.	DATE	INT.
1	REDRAWN	1007	10-30-97	L.F.