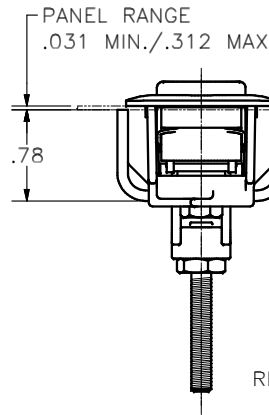
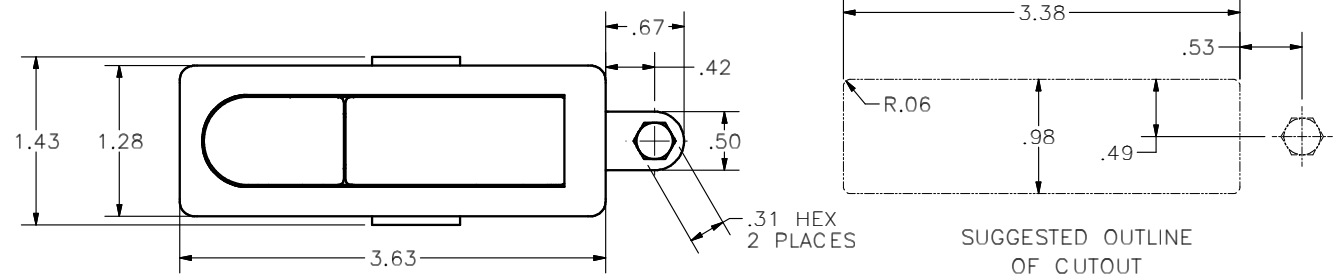
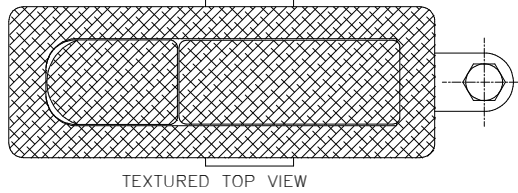


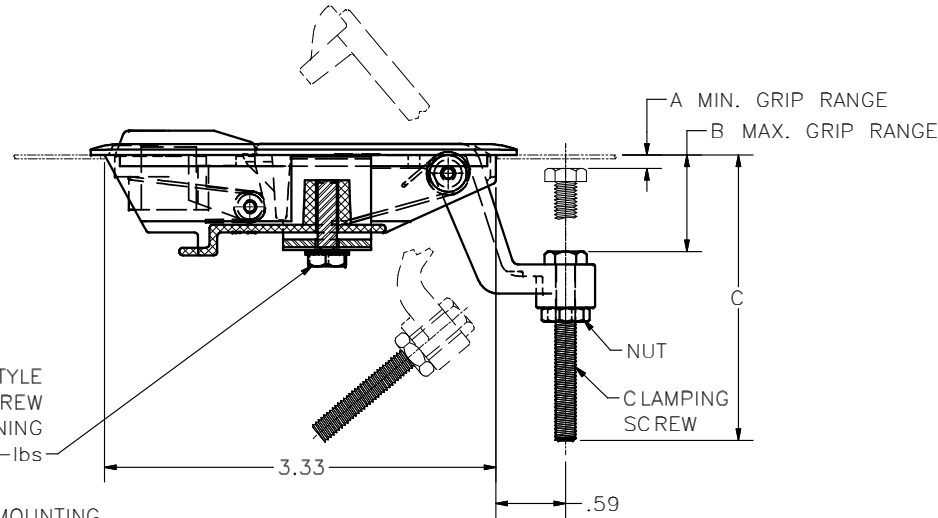
CONFIDENTIAL NOTICE: This drawing and the designs, specifications and engineering information disclosed herein are the property of Eberhard Manufacturing Company and are not to be disseminated or reproduced without express written consent. The drawing is loaned in confidence and then only for consideration of the matter disclosed herein. In accepting loan of this drawing, recipient agrees to keep it and the matter disclosed herein in confidence and not to use nor permit their use in any way detrimental to Eberhard Manufacturing Company, Division of the Eastern Company, 21944 Drake Road, Cleveland, Ohio 44149-9712 © 2013 EBERHARD MFG. CO.

REVISION HISTORY			
REV	DESCRIPTION	EN	DATE
1	REVISED, REDRAWN AND CONVERTED TO 3D	5592	2-22-13

PART No.	SURFACE APPEARANCE	AVAILABLE FINISHES	A	B	C
634	TEXTURED	(05)(30)	.13	.80	2.43
635	TEXTURED	(05)(30)	.75	1.25	2.86
636	TEXTURED	(05)(30)	1.25	1.75	3.43
637	TEXTURED	(05)(30)	1.75	2.25	3.89
634S	SMOOTH	(42)(03)(CS)	.13	.80	2.43
635S	SMOOTH	(42)(03)(CS)	.75	1.25	2.86
636S	SMOOTH	(42)(03)(CS)	1.25	1.75	3.43
637S	SMOOTH	(42)(03)(CS)	1.75	2.25	3.89



MOUNTING BRACKET  
 "SEMS" STYLE HEX HEAD SCREW  
 RECOMMENDED TIGHTENING TORQUE: 10-15 in-lbs



- NOTES:
- "SEMS" STYLE SCREW, CLAMPING SCREW, NUT, AND MOUNTING BRACKET TO BE SHIPPED LOOSE IN A SECURED POLY BAG INSIDE LARGER POLY BAG TO PREVENT SCRATCHING.
  - FINISH DESCRIPTIONS:
    - A. UNPLOISHED CHROME, FC (05)
    - B. BLACK POWDER COAT, FC (30)
    - C. TEXTURED BLACK POWDER, FC (42)
    - D. BRIGHT CHROME, FC (04)
    - E. CAMARO SILVER, FC (CS)

SUPERSEDES DRAWING 634 CHART SHEET 1 OF 2 DATED 6-14-05

THIS DOCUMENT IS IN ACCORDANCE WITH ASME Y14.15-2009	
LINEAR MEASURE: INCH	DATE: 2/22/2013
UNLESS OTHERWISE SPECIFIED TOLERANCES ARE AS FOLLOWS:	DR BY: FLP
IN MM	SCALE: FULL
ANGLES: ± 2° ± 2'	CHK BY:
2 PLACE DEC.: ± .03 ± .76	
3 PLACE DEC.: ± .015 ± .38	
ALL HOLES: ± .005 ± .13	

CUSTOMER PRINT SHEET 1 OF 2

EBERHARD MANUFACTURING CO.  
 DIVISION OF  
 THE EASTERN COMPANY  
 CLEVELAND, OHIO 44149-9712

NAME: NON LOCKING ADJUSTABLE TRIGGER LATCH W/ BRACKET	
MATERIAL: *	PART NUMBER: 634