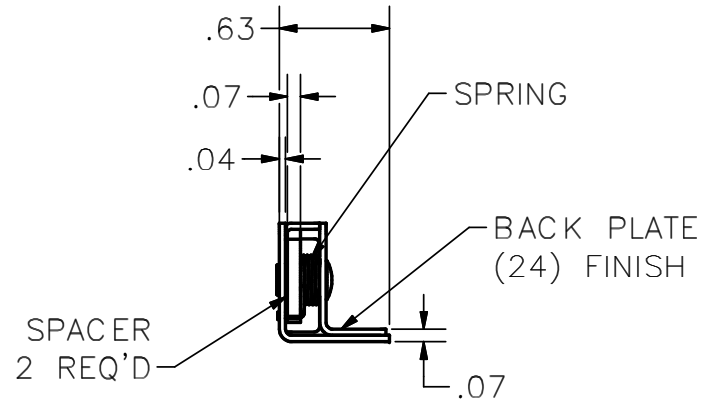
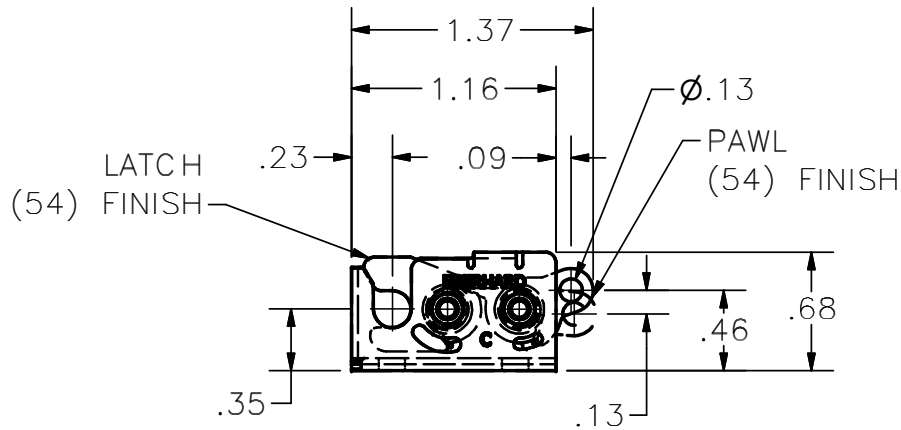
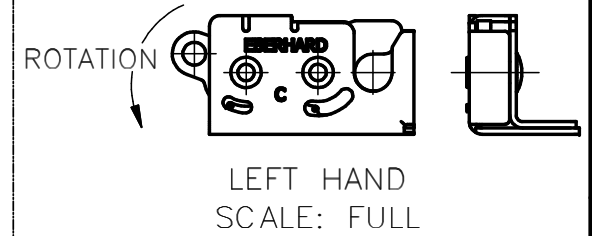
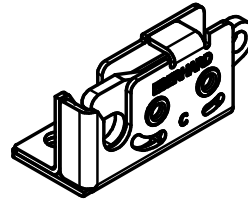
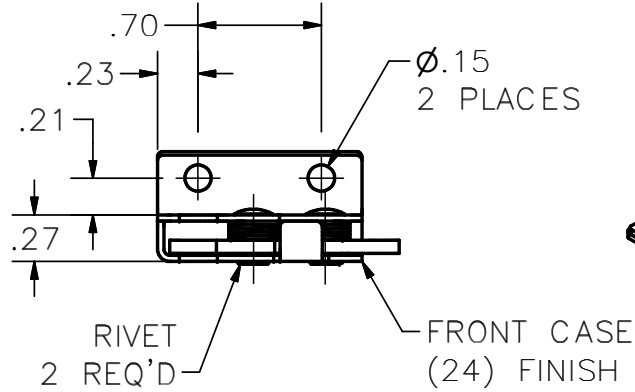


CONFIDENTIAL NOTICE: This drawing and the designs, specifications and engineering information disclosed herein are the property of Eberhard Manufacturing Company and are not to be disseminated or reproduced without express written consent. The drawing is loaned in confidence and then only for consideration of the matter disclosed herein. In accepting loan of this drawing, recipient agrees to keep it and the matter disclosed herein in confidence and not to use nor permit their use in any way detrimental to Eberhard Manufacturing Company, Division of the Eastern Company. 21944 Drake Road, Cleveland, Ohio 44149-9712 © 2013 EBERHARD MFG. CO.



NOTE: FINISH: ELECTROPLATED ZINC W/EVERLUBE
INTERNAL COMPONENTS, FC (54)

RIGHT HAND SHOWN
LEFT HAND OPPOSITE
CUSTOMER PRINT
SHEET 1 OF 2

SUPSEDES DRAWING 8C-140-RLSH1 DATED 5-20-05.

LINEAR MEASURE: INCH	
UNLESS OTHERWISE SPECIFIED TOLERANCES ARE AS FOLLOWS:	
	IN MM
ANGLES:	$\pm 2'$ $\pm 2'$
2 PLACE DEC.:	$\pm .03$ $\pm .76$
3 PLACE DEC.:	$\pm .015$ $\pm .38$
ALL HOLES:	$\pm .005$ $\pm .13$

DATE	3/15/2013
DR. BY	FLP
SCALE	FULL
CHK. BY	

EBERHARD MANUFACTURING CO.
DIVISION OF
THE EASTERN COMPANY
CLEVELAND, OHIO 44149-9712

THIS DOCUMENT IS IN ACCORDANCE WITH
ASME Y14.15-2009

NAME		MICRO-ROTARY™ LOCK	
MATERIAL		PART NUMBER	
-----		8C-140-R/L	

REV	DESCRIPTION	EN	DATE
	REVISED, REDRAWN AND CONVERTED TO 3D	5595	3-15-13

C:\Working_Folder\Archive\Pro\11140\8C-140-RL SH1.idw