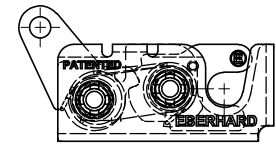


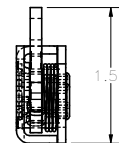
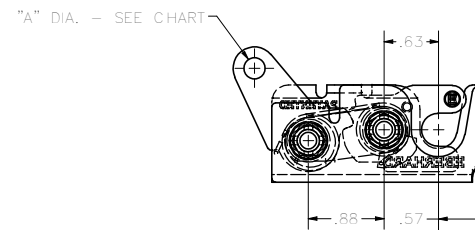
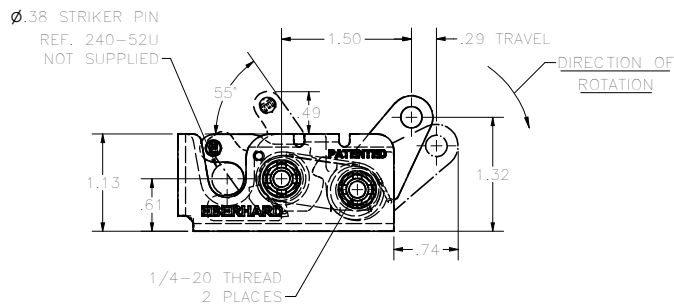
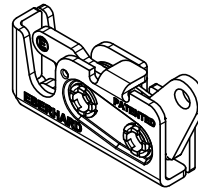
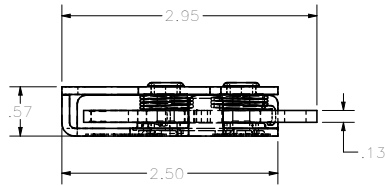
CONFIDENTIAL NOTICE: This drawing and the designs, specifications and engineering information disclosed hereon are the property of Eberhard Manufacturing Company and are not to be disseminated or reproduced without express written consent. The drawing is loaned in confidence and then only for consideration of the matter disclosed hereon. In accepting loan of this drawing, recipient agrees to keep it and the matter disclosed hereon in confidence and not to use nor permit their use in any way (general or special) to Eberhard Manufacturing Company, Division of the Eastern Company, 2184 Drake Road, Cleveland, Ohio 44149-9712. © 2012 EBERHARD MFG. CO.

REVISION HISTORY			
REV.	DESCRIPTION	EN.	DATE
1	REVISED, REDRAWN AND CONVERTED TO 3D	9277	10-26-12

ASS'Y P/N	"A"
8A-240-R/L	.265
8-240-R/L	.250/.240



8/8A-240-L
LEFT HAND
MINI-ROTARY™ LOCK



- NOTES:
- USE 1/4-20 GRADE 8 BOLTS FOR INSTALLATION
RECOMMENDED TORQUE FOR TIGHTENING: 14 FT.LBS.
 - MAX LOAD RATING: 750 LBS.
 - FINISHES:
A. EVERLUBE INTERNAL COMPONENTS, FC (54)
B. BEARING GREASE WITH EVERLUBE INTERNAL COMPONENTS, FC (BG)
C. ELECTROPLATED ZINC (.0003) WITH EVERLUBE INTERNAL COMPONENTS, FC (26)



MINI-ROTARY™ IS A TRADEMARK OF EBERHARD MFG. CO.,
DIVISION OF THE EASTERN COMPANY.

PATENTED
CUSTOMER PRINT
SHEET 1 OF 2
RIGHT HAND SHOWN
LEFT HAND OPPOSITE

THIS DOCUMENT IS AN ELECTRONIC FILE FILE NAME: 8A-240-3D.DWG DATE: 10/26/2012 USER: JEFFREY.BRYANT RELEASED AND AS FOLLOWS:		EBERHARD MANUFACTURING CO. DIVISION OF THE EASTERN COMPANY CLEVELAND, OHIO 44149-9712	
ANGLE: 1° 2° 2 PLACE DEC: .05 .06 3 PLACE DEC: .015 .03 DIM. UNITS: INCH	FLP FULL PARTS	MINI-ROTARY LOCK PART NUMBER: 8/8A-240-R/L	

SUPERSEDES DRAWING 8_8A-240 RL SH1 DATED 5-27-2011.

C:\Working_Folder\Archive\Pro\2024\log_8A-240 RL SH1.dwg