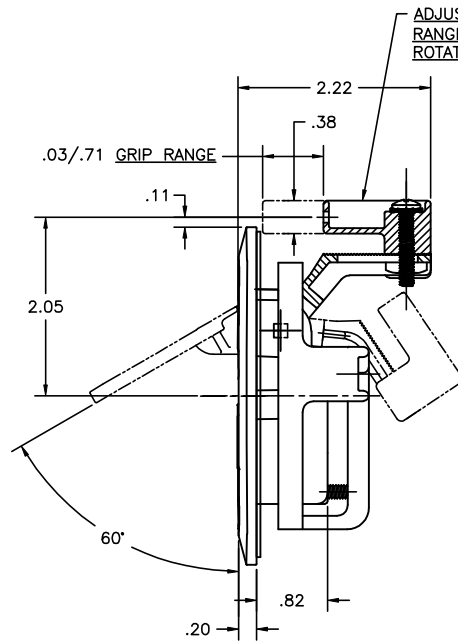
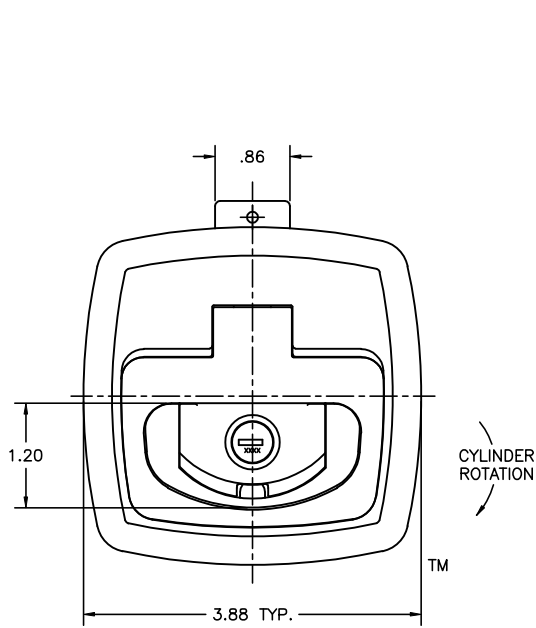
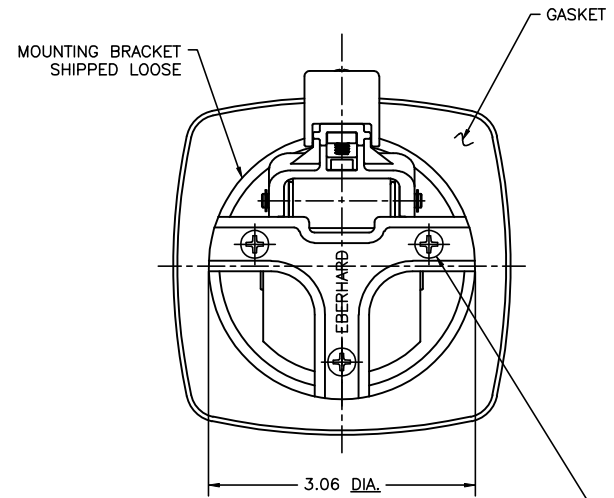


CONFIDENTIAL NOTICE: This drawing and the designs, specifications and engineering information disclosed herein are the property of Eberhard Manufacturing Company and are not to be disseminated or reproduced without express written consent. This drawing is issued in confidence and then only for consideration of the reader disclosed herein. In accepting hereof this drawing, recipient agrees to keep it and the matter disclosed herein in confidence and not to use nor permit third use in any way detrimental to Eberhard Manufacturing Company, Division of the Eastern Company, 21944 Drake Road, Cleveland, Ohio 44149-9712 © 2004 EBERHARD MFG. CO.

NO.	CHANGE	ENG. NO.	DATE
1	REVISED AND REDRAWN	EN 5484	12-31-10



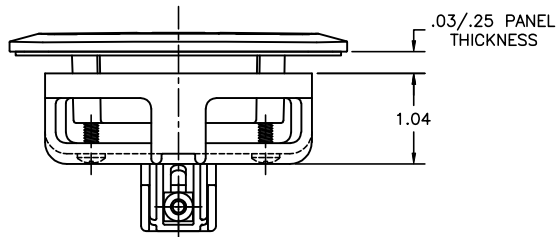
ADJUSTABLE TRIGGER EXTENSION — GRIP RANGE CAN BE EXTENDED TO 1.36" BY ROTATING THE EXTENSION 180°.



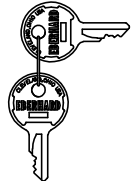
SELF TAPPING SCREWS
3 REQUIRED
SHIPPED LOOSE

AVAILABLE FINISHES:

- BLACK POWDER COAT (TEXTURED) ASSEMBLY (42)
- BLACK POWDER COAT (TEXTURED) ASSEMBLY — BRIGHT CHROME BAIL (35)
- CHROME DUPLEX NICKEL CHROME ASSEMBLY (03)

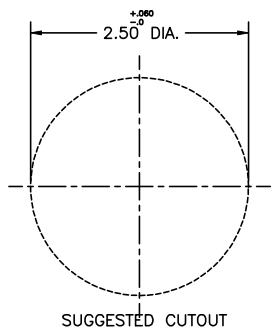


NOTE:
ORDER P/N (EXAMPLE)
100-934-K-42



ASSEMBLY SUPPLIED
WITH TWO KEYS
KEY NUMBERS AVAILABLE
100 THRU 110
SHIPPED LOOSE

NOTE:
ASSEMBLY, BRACKET, KEY AND SCREWS
SHIPPED IN A SECURED POLY BAG.



SUGGESTED CUTOUT

CUSTOMER PRINT
PATENT PENDING
SHEET 1 OF 2

EBERHARD MANUFACTURING CO. DIVISION OF THE EASTERN COMPANY CLEVELAND, OHIO 44149-9712	
NAME ROUND TRIGGER LATCH KEY LOCKING	PART NUMBER 934-K

UNLESS OTHERWISE SPECIFIED TOLERANCES ARE AS FOLLOWS:	SIZE 12-50-10 DRIFT .010 SCALE FULL CHK/RY
ANGLES:	±2°
2 PLACE DEC.:	±.03
3 PLACE DEC.:	±.015
ALL HOLES:	±.005