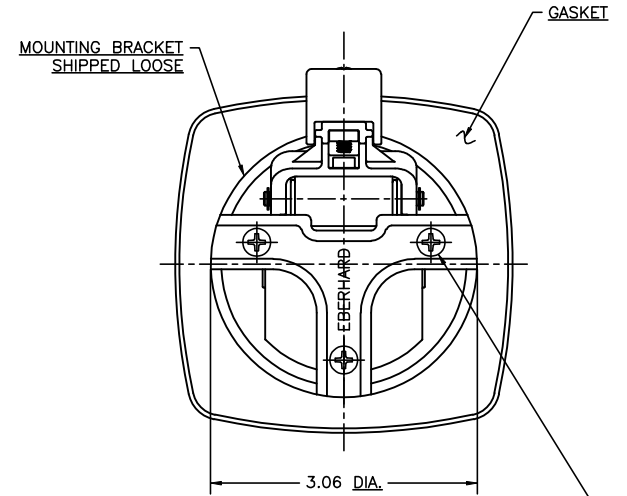
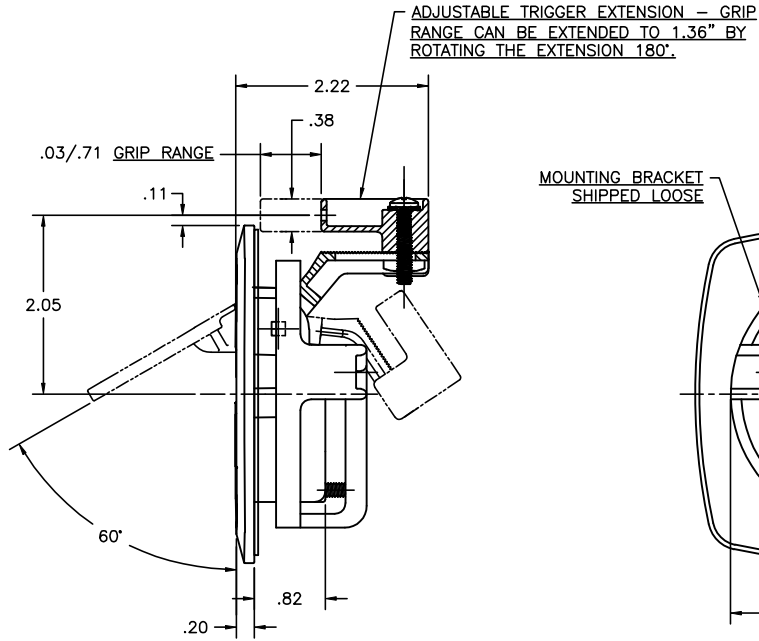
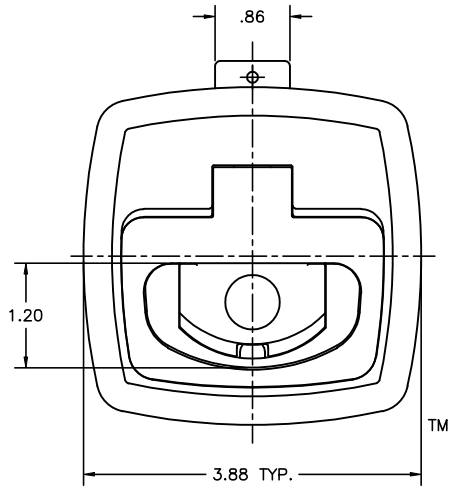
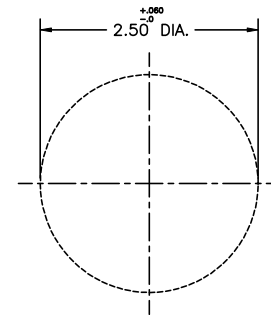
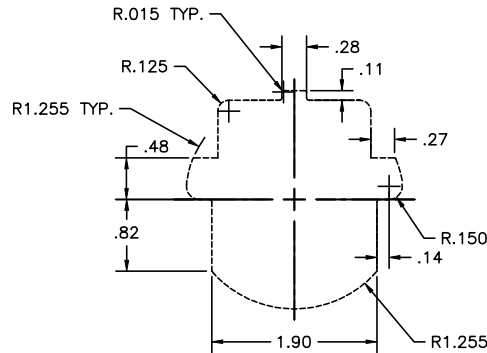
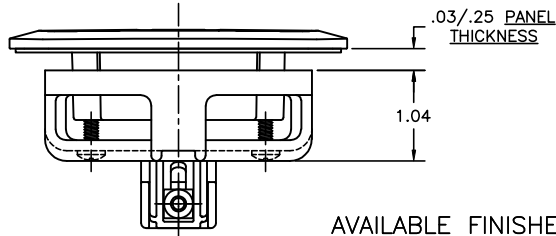


CONFIDENTIAL NOTICE: This drawing and the designs, specifications and engineering information disclosed herein are the property of Eberhard Manufacturing Company and are not to be disseminated or reproduced without express written consent. This drawing is issued in confidence and then only for consideration of the reader disclosed herein. In accordance hereof the reader is notified that any use in any way detrimental to Eberhard Manufacturing Company, Division of the Eastern Company, 21944 Dodge Road, Cleveland, Ohio 44149-9712 © 2005 EBERHARD MFG. CO.

NO.	CHANGE	ENG. NO.	DATE
	REVISION AND REVISION	EN 5484	12-31-10



SELF TAPPING SCREWS
3 REQUIRED
SHIPPED LOOSE



2 SUGGESTED CUTOUTS

AVAILABLE FINISHES:

- BLACK POWDER COAT (TEXTURED) ASSEMBLY (42)
- BLACK POWDER COAT (TEXTURED) ASSEMBLY - BRIGHT CHROME BAIL (35)
- CHROME DUPLEX NICKEL CHROME ASSEMBLY (03)

NOTE:
ASSEMBLY, BRACKET, AND SCREWS
SHIPPED IN A SECURED POLY BAG.

CUSTOMER PRINT
PATENT PENDING
SHEET 1 OF 2

EBERHARD MANUFACTURING CO.
DIVISION OF
THE EASTERN COMPANY
CLEVELAND, OHIO 44149-9712

UNLESS OTHERWISE SPECIFIED TOLERANCES ARE AS FOLLOWS:	ANGLES:	±2°	DATE	12-30-10
	2 PLACE DEC.:	±.03	DRAWN	JMD
	3 PLACE DEC.:	±.015	SCALE	FULL
	ALL HOLES:	±.005	CHECKED	OKR/RY
NAME			ROUND TRIGGER LATCH NON LOCKING	
MATERIAL			PART NUMBER	
----			934	