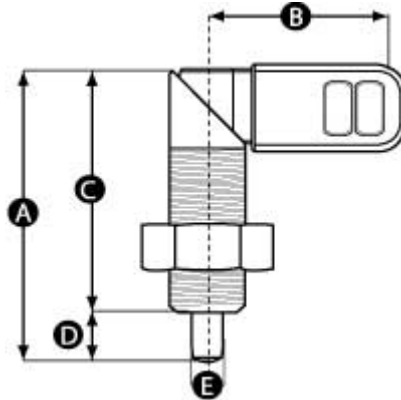


Model 04 CP - Cam Plunger:



Actions / Downloads:

- [Print](#)

Get Adobe Acrobat Reader

Body Material: Blackened steel or stainless steel

Includes: Comes as standard with locking nut. Stainless steel body comes complete with black plastic cap, blackened steel without cap.



Please refer to the table below for types and sizes of this product. Once you have found the exact component you require, select the 'Quote' button. In the fields provided, enter the quantity you require and add any special options or non-standard colours / threads.

We will reply by email within one working day with a price and delivery schedule.

PTID	A	B	C	D	E	Thread size	Plunger diameter (mm)	Insert material	Includes cap	Initiating Force (N)	Force for full Retraction (N)	Stocked Item	MOQ	QUOTE REQUEST
15714R	47	32	39	8	8	M12 x 1.5	8	Blackened steel	No	7	16	Yes	1	Quote
11788U	69	37	57	12	8	M20x1.5	8	Blackened steel	No	9	35	Yes	1	Quote
11786R	69	37	57	12	10	M20x1.5	10	Blackened steel	No	9	35	Yes	1	Quote
11787Y	69	37	57	12	12	M20x1.5	12	Blackened steel	No	9	35	Yes	1	Quote
15714R	47	32	39	8	8	M12 x 1.5	8	Blackened steel	Yes			Yes	1	Quote
11794S	69	52	57	12	8	M20x1.5	8	Stainless steel	Yes	8	35	Yes	1	Quote
11795Z	69	52	57	12	10	M20x1.5	10	Stainless steel	Yes	5	35	Yes	1	Quote
11796V	69	52	57	12	12	M20x1.5	12	Stainless steel	Yes	7	35	Yes	1	Quote

© Rencol Components Ltd. Company No. 07043676

