

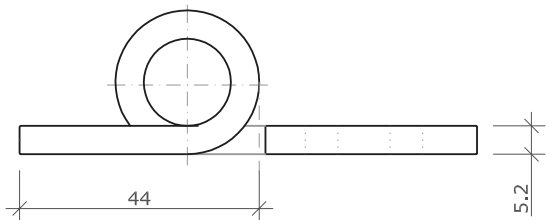
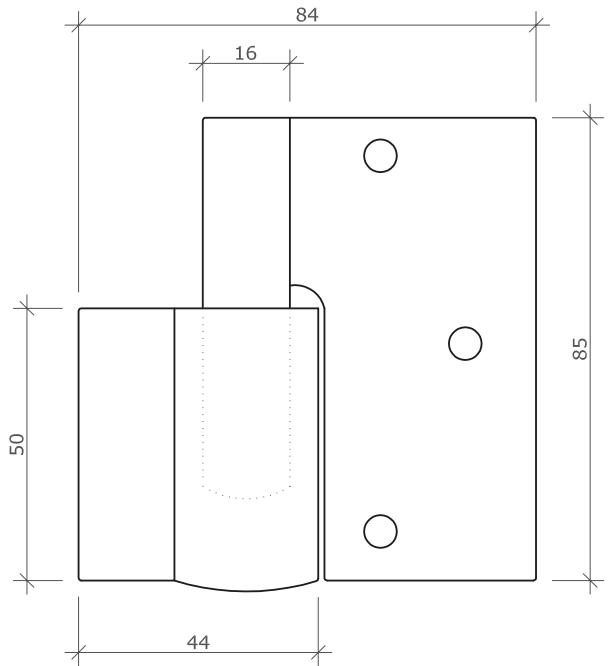


Concept
Latch Lock & Hinge

address: 353 Victoria Street, Brunswick, VIC, 3056
phone: 03 9388 2551 fax: 03 9387 5758
email: sales@conceptlatch.com.au
web: www.conceptlatch.com.au
ABN: 53 098 642 641



Photo of CLLH-GH003



- * CLLH-GH003 - Left Hand
- * CLLH-GH004 - Right Hand

PART: CLLH-GH003	DESCRIPTION: Lift Off Gate Hinge, Weld On, Left Hand, Galvanised Finish	
SCALE: not to scale	MATERIAL: Stainless Steel	DATE OF DRAWING: 22/11/10