



Concept  
Latch Lock & Hinge

# H00184IL

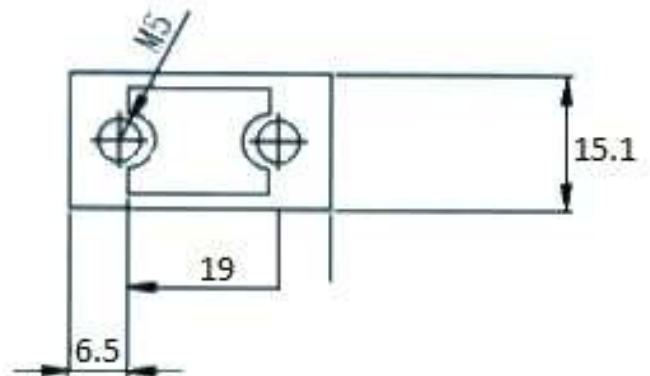
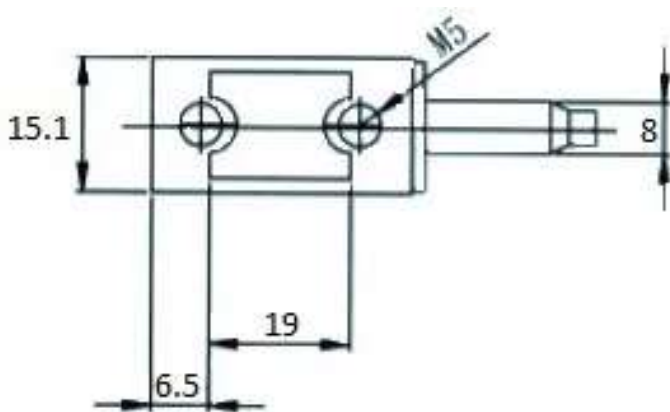
## In-Line Lift Off Hinge

Pintle Hinge - In-Line

Material: Diecast, Black Powder Coated

Dimensions: 64mm x 15mm x 17.5mm

Pin Diameter: 8mm



[www.conceptlatch.com.au](http://www.conceptlatch.com.au)  
[sales@conceptlatch.com.au](mailto:sales@conceptlatch.com.au)  
03 9388 2551