



# CR Compression System

## Swinghandle actuator

- Consistent compression
- Adjustable grip
- Meets NEMA 4 / IP 66 and EMI standards

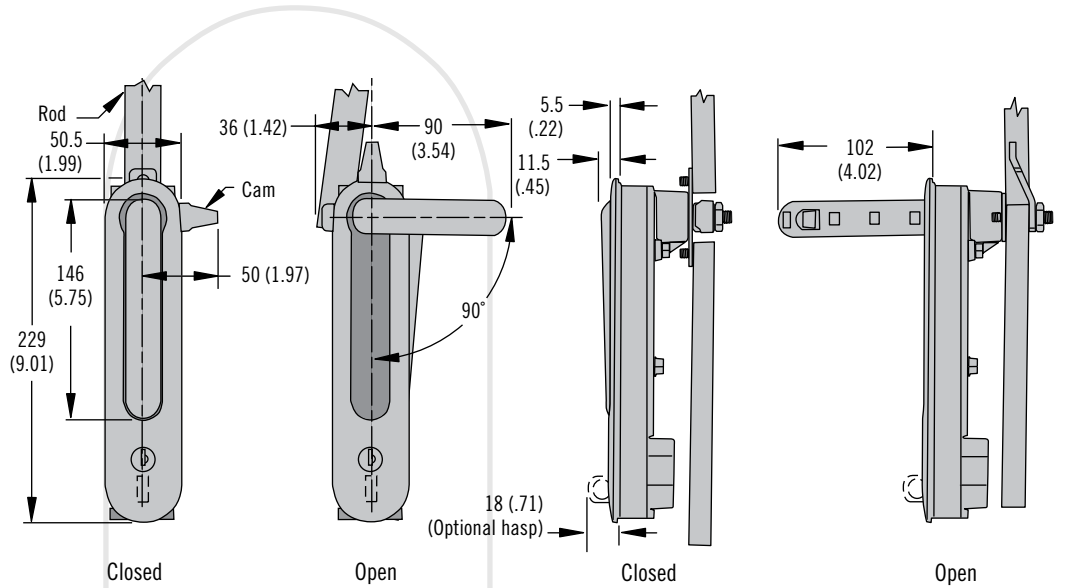
### Material and Finish

Handle actuator:  
Zinc alloy black powder coated  
Mounting hardware:  
Acetal black, stainless steel and brass

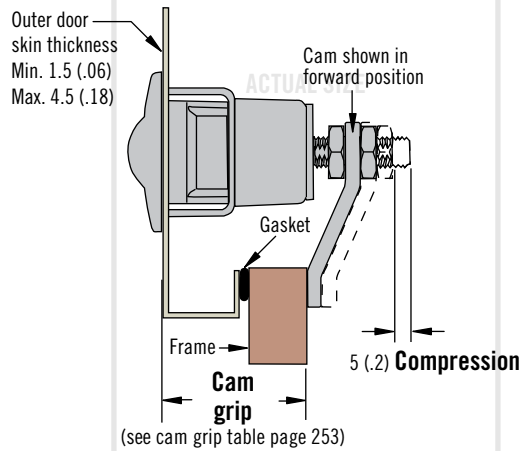
### Performance Details

Max. static load:  
250 N (55 lbf) per latch point  
580 N (130 lbf) for entire system  
Average ultimate load:  
580 N (130 lbf)

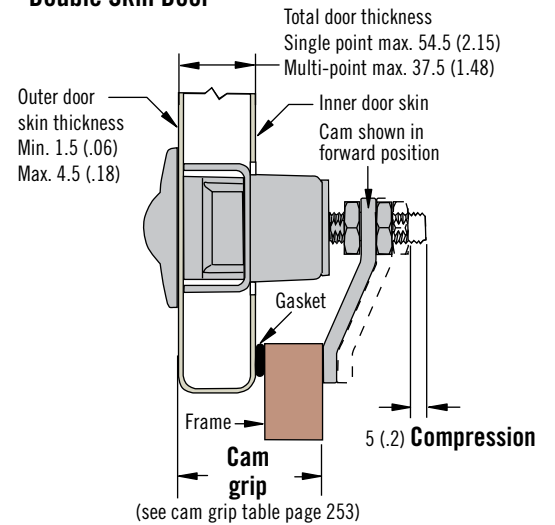
Flammability rating:  
UL94-HB for all plastic components



### Single Skin Door



### Double Skin Door



### Part Number Selection

Actuator only

The complete system consists of:  
Actuator (see part number selector)  
Cam (see page 253)  
Rod end (see page 254)  
Rods (see page 254)  
Rod guide (see page 254)  
Order each component separately

**CR - 19 - L - R 5**

#### L Lock style

- 11 Key-locking keyed alike CH751 (2 keys supplied)
- 21 Keylocking keyed alike CH751 (2 keys supplied) and padlock hasp
- 32 DIN 18354 profile keyed alike 347876 (3 keys supplied)
- 44 Bellcore electronics
- 45 Bellcore 216
- 54 Bellcore electronics and padlock hasp
- 55 Bellcore 216 and padlock hasp

#### R Rotation

- 1 Universal 180°
- 2 Counter-clockwise 90°
- 3 Clockwise 90°



[www.southco.com/CR](http://www.southco.com/CR)

Dimensions in millimeters (inch) unless otherwise stated

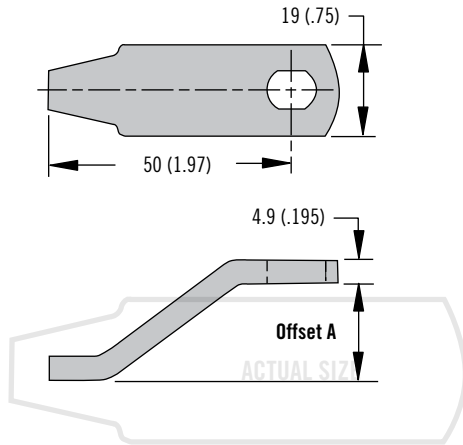
# CR Compression System

## Cam



### Cam

See page 252 for definition of cam grip



Cam Part Number	Offset A	Cam Grip Range	
		Cam Forward	Cam Reversed
CR-846-1000-24	0 (0.0)	56.5 - 62 (2.23 - 2.44)	
CR-846-1005-24	5 (.20)	51.5 - 57 (2.03 - 2.25)	61.5 - 67 (2.42 - 2.64)
CR-846-1010-24	10 (.39)	46.5 - 52 (1.83 - 2.05)	66.5 - 72 (2.62 - 2.84)
CR-846-1015-24	15 (.59)	41.5 - 47 (1.64 - 1.85)	71.5 - 77 (2.82 - 3.03)
CR-846-1020-24	20 (.79)	36.5 - 42 (1.44 - 1.66)	76.5 - 82 (3.01 - 3.23)
CR-846-1025-24	25 (.98)	31.5 - 37 (1.24 - 1.46)	81.5 - 87 (3.21 - 3.43)
CR-846-1030-24	30 (1.18)	26.5 - 32 (1.05 - 1.26)	86.5 - 92 (3.41 - 3.62)
CR-846-1035-24	35 (1.38)	21.5 - 27 (.85 - 1.07)	91.5 - 97 (3.60 - 3.82)
CR-846-1040-24	40 (1.58)	16.5 - 22 (.65 - .87)	96.5 - 102 (3.80 - 4.02)
CR-846-1045-24	45 (1.77)	11.5 - 17 (.46 - .67)	101.5 - 107 (3.99 - 4.22)
CR-846-1050-24	50 (1.97)	6.5 - 12 (.26 - .47)	106.5 - 112 (4.19 - 4.41)

### Material and Finish

Stainless steel

### Part Number

Cam see table

The complete system consists of:

Actuator (see page 252)

Cam (see table)

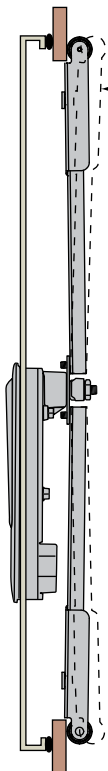
Rod end (see page 254)

Rods (see page 254)

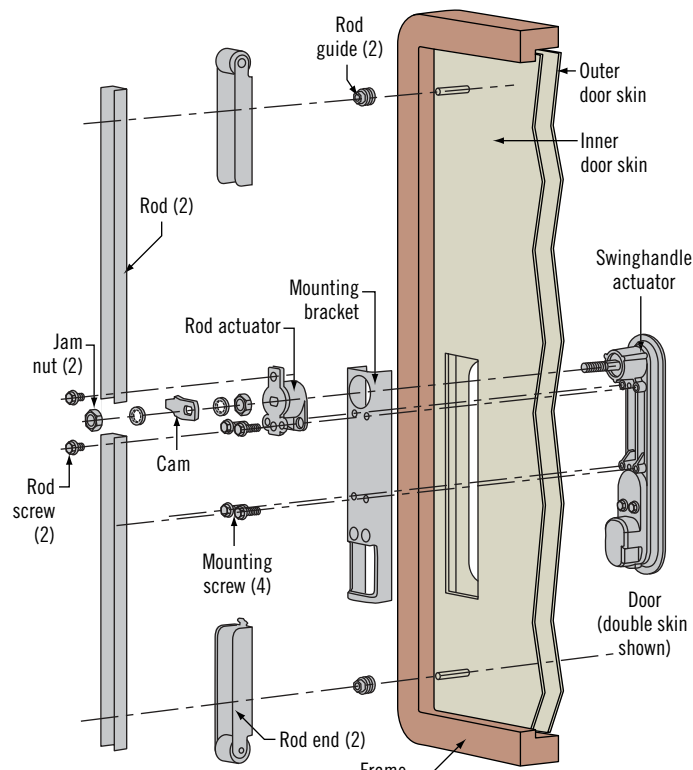
Rod guide (see page 254)

Order each component separately

### Assembly



Select rod end offset to ensure rod travels parallel to inside surface of door ±5 degree max.





# CR Compression System

## Rod end · Rod · Rod guide · Installation

### Material and Finish

Rod end: Stainless steel and nylon, black  
 Rod: Aluminum  
 Rod guide: Brass

### Notes

For your specific application requirement use Southco's online configurator, visit [www.southco.com/CR](http://www.southco.com/CR) or contact Southco

Rod end: When more than one rod end fits desired rod end grip range select the part number with the lowest offset value

Rod: Sold separately without mounting hole, in standard length of 1000 (39.37). Rod will need to be cut to desired lengths and mounting holes  $\varnothing$  8.5 (.33) drilled. Min. 300 (11.81) Max. 1000 (39.37)

Rod guide: M6 thread with prevailing torque for vibration resistance

### Part Number

Rod end, rod and rod guides see tables

The complete system consists of:  
 Actuator (see page 252)

Cam (see page 253)

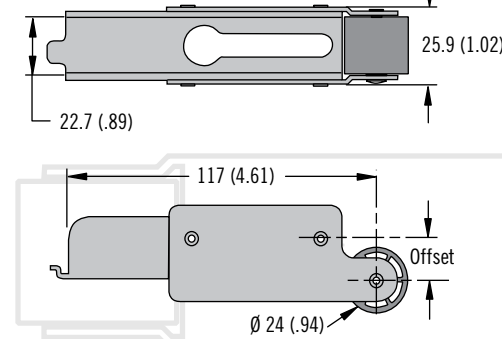
Rod end (see table)

Rods (see table)

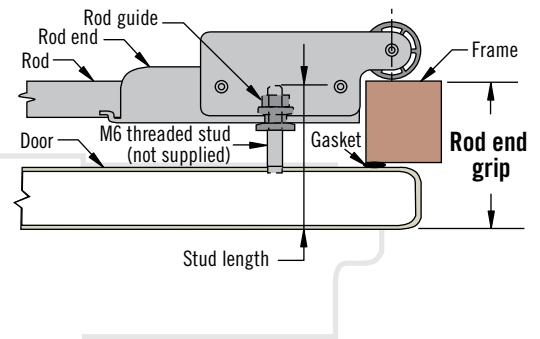
Rod guide (see table)

Order each component separately

### Rod End - Negative offset shown



### Positive offset shown



Rod End Grip when used with 1000 (39.37) rod	Offset	Stud Length $+2.5$ $-0$ $(+1)$ Distance from front of door to the end of the threaded stud (not supplied)	Rod End Part Number
40 (1.57) Min. to 124 (4.88) Max.	+30 (1.18)	Rod end grip -16.5 (.65)	CR-51-30-24
25 (.98) Min. to 109 (4.29) Max.	+15 (.59)	Rod end grip -1.5 (.06)	CR-51-15-24
10 (.39) Min. to 94 (3.70) Max.	0 (0)	Rod end grip +13.5 (.53)	CR-50-01-24
5 (.20) Min. to 79 (3.11) Max.	-15 (.59)	Rod end grip +28.5 (1.12)	CR-52-15-24
5 (.20) Min. to 64 (2.52) Max.	-30 (1.18)	Rod end grip +43.5 (1.71)	CR-52-30-24

For your specific application requirement use Southco's online configurator, visit [www.southco.com/CR](http://www.southco.com/CR) or contact Southco

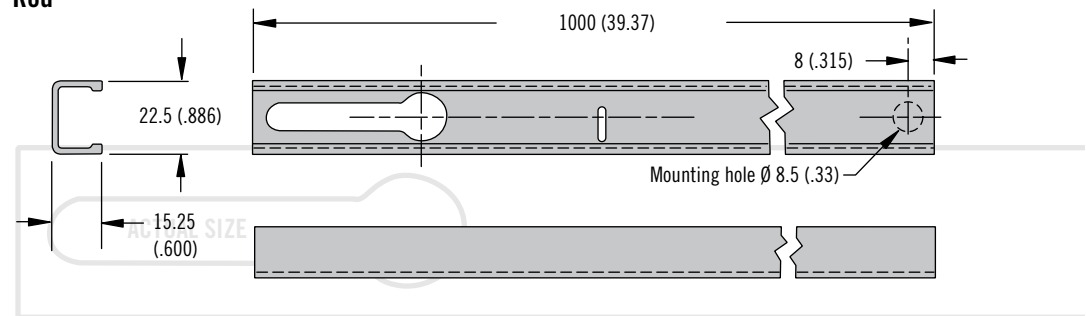
### Example:

Rod end grip = 40 (1.57)

Rod end offset = +15 (.59)

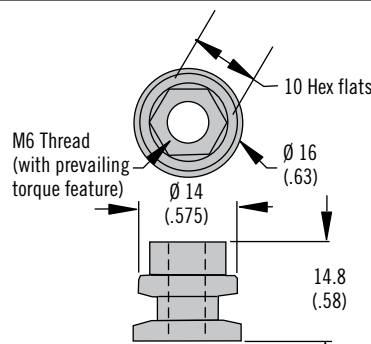
**Stud Length = 40 (1.57) - 1.5 (.06) = 38.5 (1.51)**

### Rod



Rod Part Number
CR-64-1000-50

### Rod Guide



Rod Guide Part Number
CR-843-01-26

Dimensions in millimeters (inch) unless otherwise stated

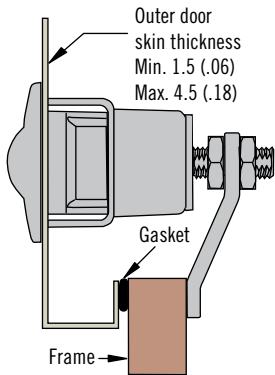
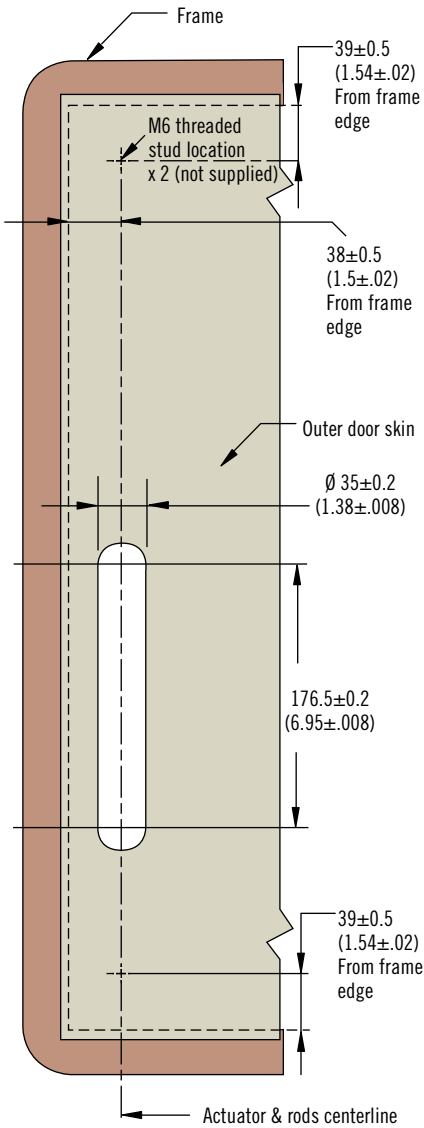
Other options available. For complete details on variety, part numbers, installation and specification, go to



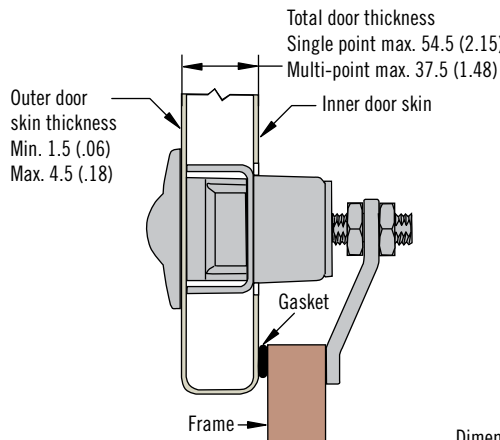
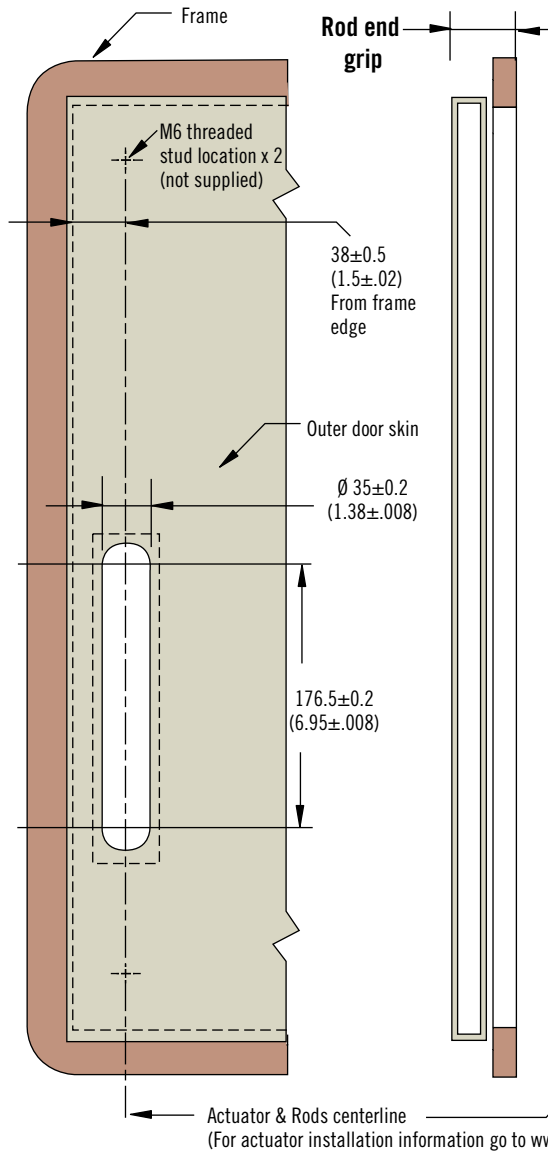
[www.southco.com/CR](http://www.southco.com/CR)

**Installation** (For full installation drawings go to [www.southco.com/CR](http://www.southco.com/CR))

**Single Skin Door  
View From Front**



**Double Skin Door  
View From Front**



**View From Rear**

